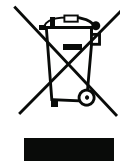
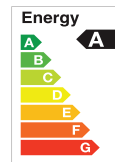
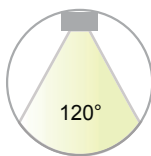




LED PENDANT LIGHT LED CEILING LIGHT

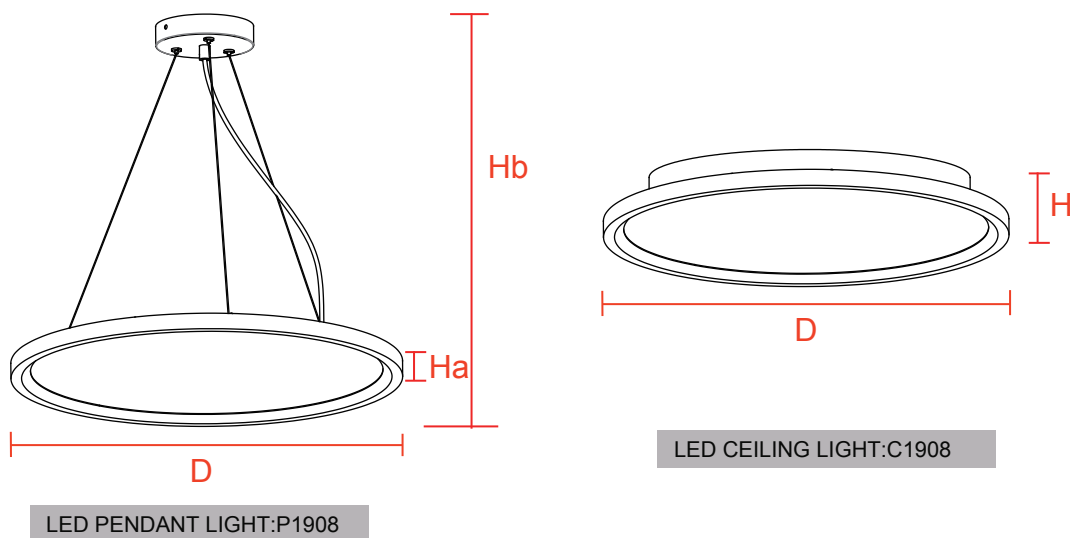


RoHS

Features & Benefits

1. 115lm/w for options.
2. Die formed of 0.6mm cold-rolled steel body.
3. 0-10v dimming, universal voltage: 100-277v.
4. Available with suspending installation and surface-mounted installation.
5. High-diffusion light-milky PS diffuser .
6. 5-year warranty.

Product Dimension



Model	D×Ha xHb
P1908-400	D400 xHa 19.8x Hb 1000(mm)/D15.75"xHa 0.78"xHa 39.37"
P1908-500	D500 xHa 19.8x Hb 1000(mm)/D19.69"xHa 0.78"xHa 39.37"
P1908-600	D600 xHa 19.8x Hb 1000(mm)/D23.62"xHa 0.78"xHa 39.37"

Model	D×Ha xHb
C1908-400	D400 xH50(mm)/D15.75"xH1.97"
C1908-500	D500 xH50(mm)/D19.69"xH1.97"
C1908-600	D600 xH50(mm)/D23.62"xH1.97"

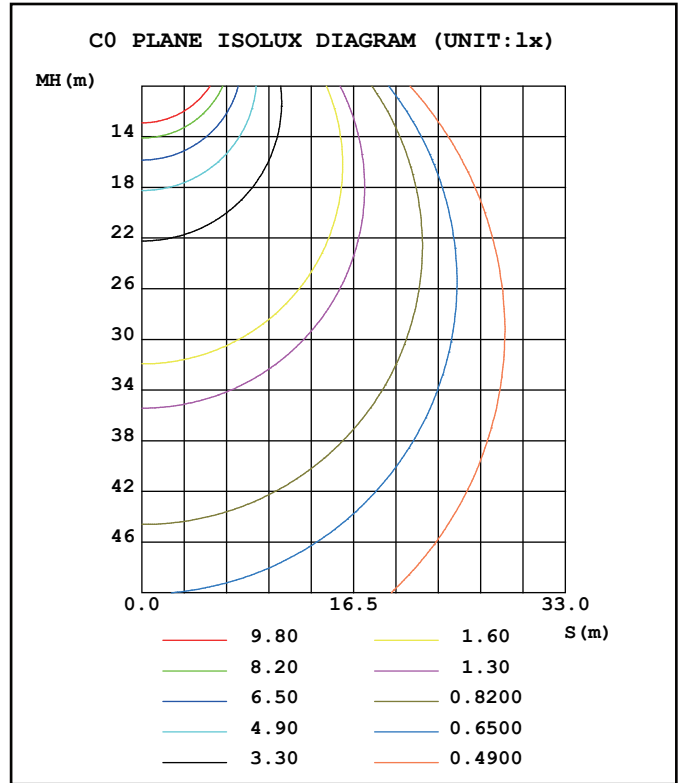
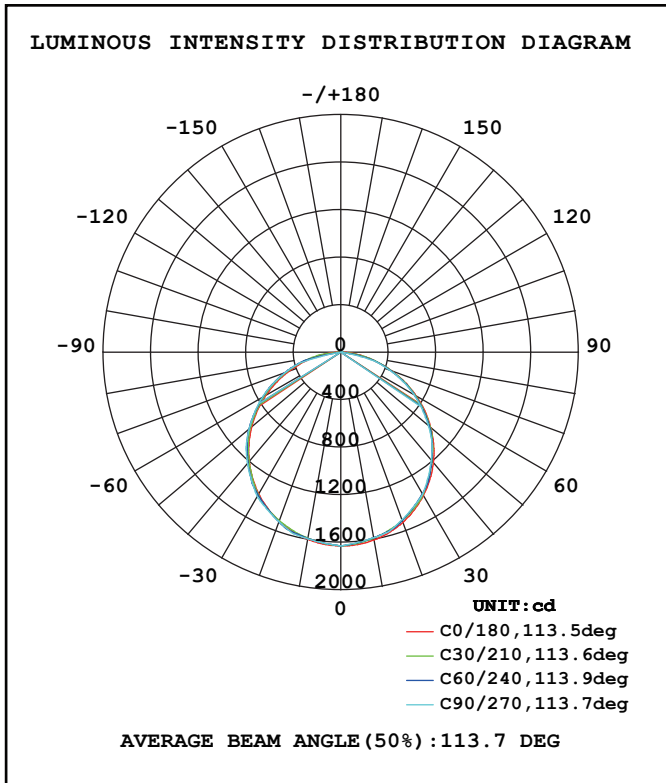
Specification

Part No.	Power	Input Voltage	Luminous Flux	Luminous Efficacy	CCT	Viewing Angle	Ra	PF	Warranty
P1908-400 C1908-400	25W	AC100-277V	2875lm	115lm/W	3500K 4000K 5000K	120°	>80	>0.9	5Years
P1908-500 C1908-500	32W		3680lm						
P1908-600 C1908-600	36W		4140lm						

The following multiple functions can be achieved according to customers' requests:

1. CCT options: 3500K, 4000K, 5000K.

Testing Report



Applications

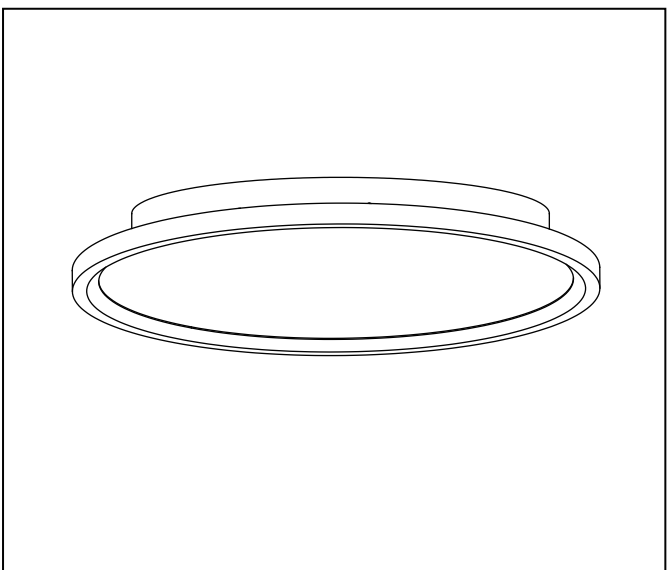
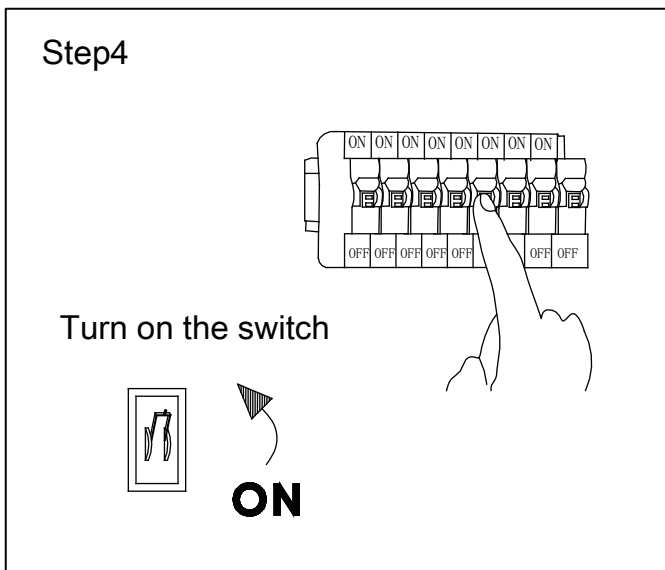
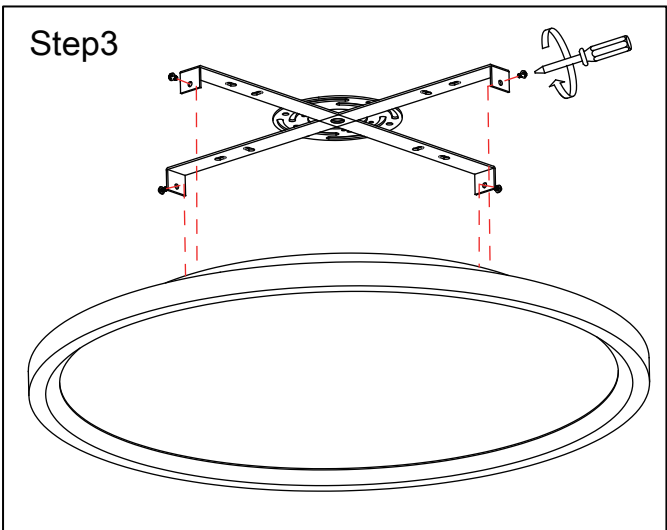
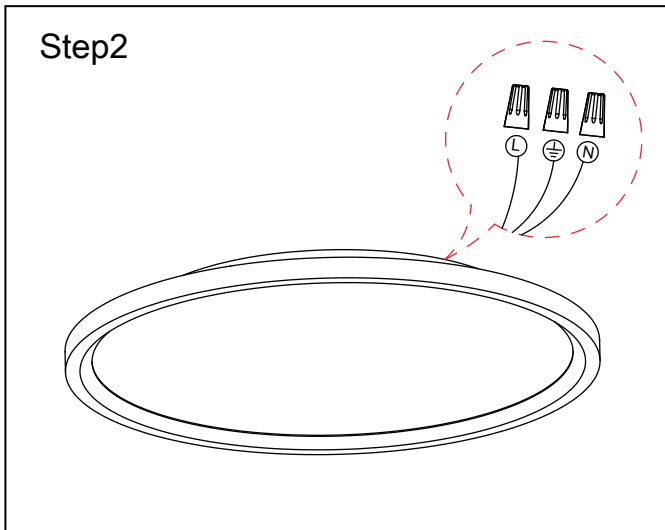
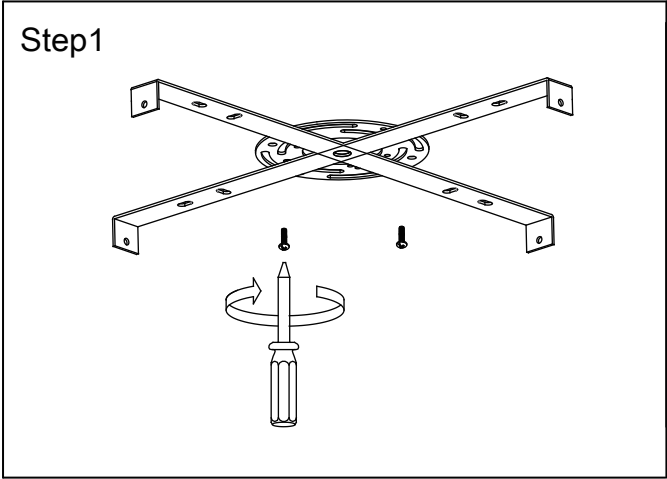
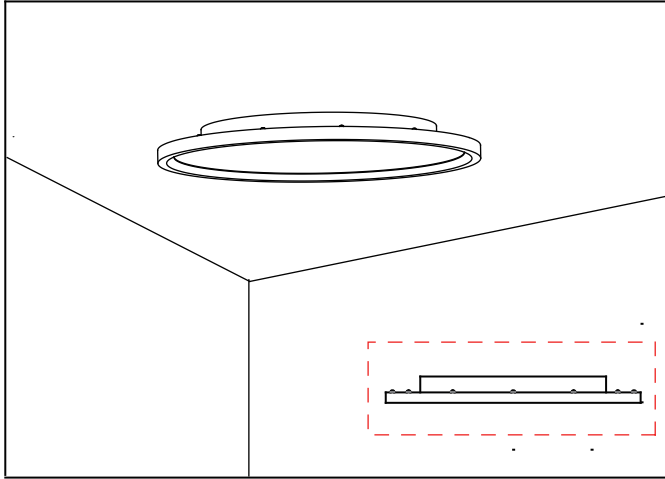


Balcony

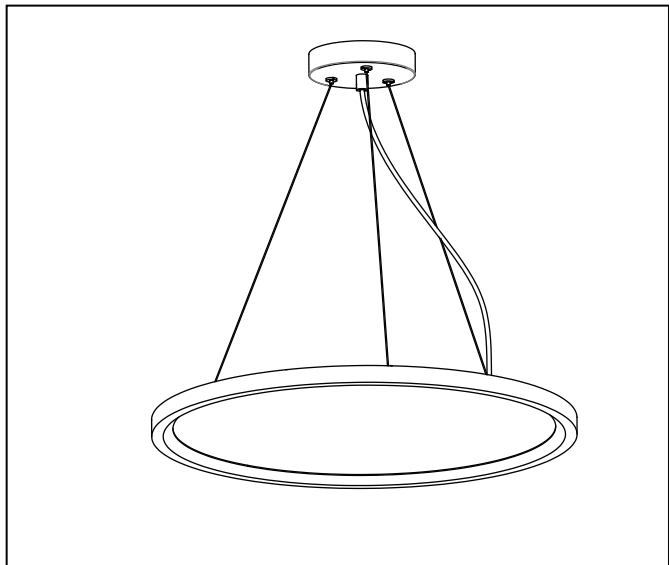
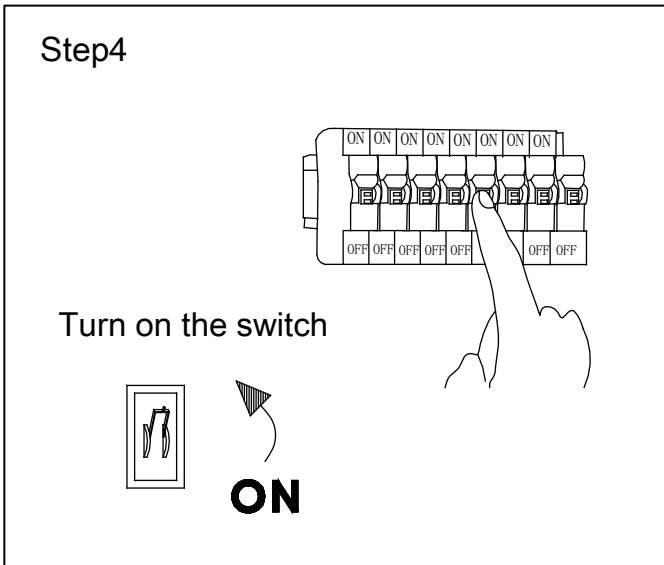
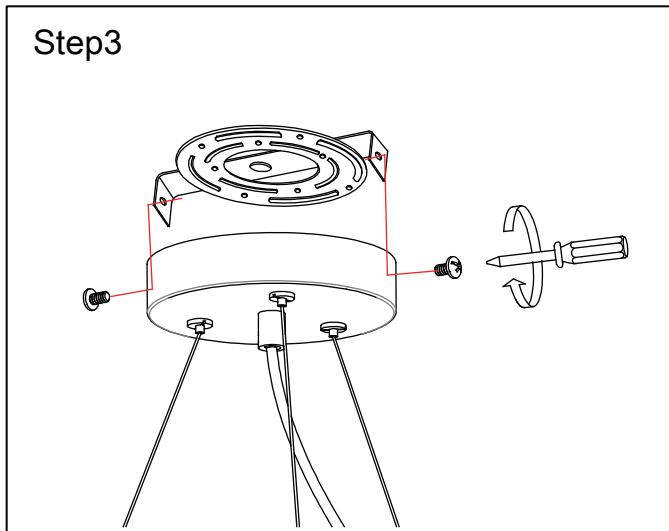
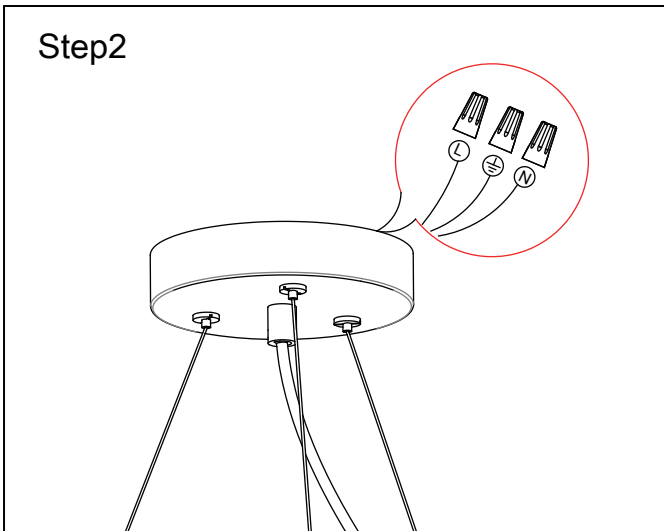
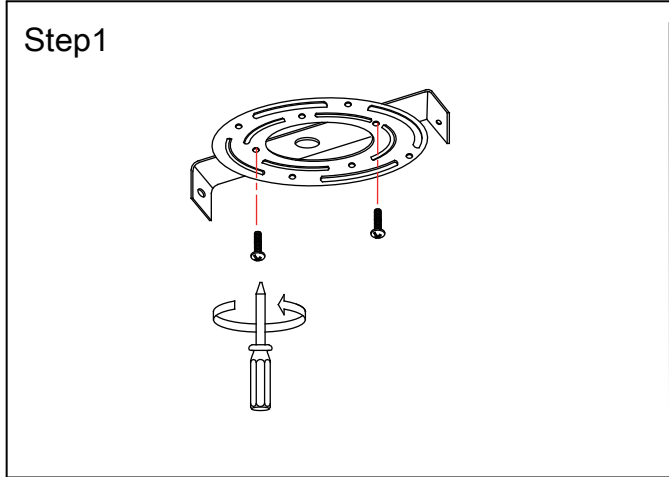
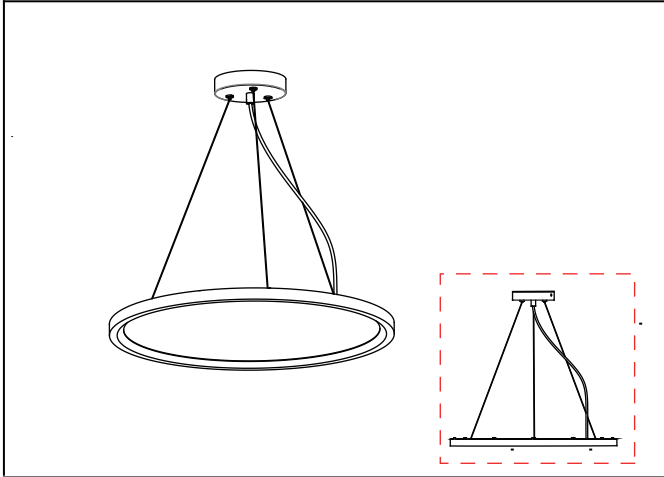


Bedroom

A.Surface-mounted installation



B.Suspending installation





Important

Read this instruction carefully before installation. Keep it for further reference.
Make electrical and grounded connections in accordance with the national electrical code and any applicable code. Always turn off the power supply before installation.
This product must be installed in accordance with the applicable installation code by a qualified electrician who is familiar with the construction and operation of the product and the hazards involved.

WARNING:

- ⚠ Risk of fire or electric shock. Fixture installation requires knowledge of luminaires electrical systems. If not qualified, DO NOT attempt installation. Contact a qualified electrician.
- ⚠ Risk of fire or electric shock. Suitable for wet locations. Always turn off the power supply before installation.
- ⚠ Risk of fire or electric shock. Suitable for non-insulated surface and frame. DO NOT cover fixture with insulation liner or similar material.
- ⚠ DO NOT install fixture on unstable, loose or easily breakable surface.
- ⚠ DO NOT exert force on the surface of the fixture.

Packing /weight

Model No.	Outer box (L*W*H)	Qty/Ctn (pcs)	N.W/pcs (lbs/Kg)	G.W/Ctn (lbs/Kg)
P1908-400/C1908-400	17.72"x17.72"x4.72" 450 x 450 x 120mm	1	5.5 / 2.5	6.6 / 3
P1908-500/C1908-500	21.65"x21.65"x4.72" 550 x 550 x 120mm	1	7.04 / 3.2	8.8 / 4
P1908-600/C1908-600	25.59"x25.59"x4.72" 650 x 650 x 120mm	1	8.8 / 4	9.6 / 4.8

Note

- 1.The installation and maintenance must be completed by electricians or professionals.
- 2.Please cut off the power before installation and maintenance.
- 3.The thermally insulating material is not allowed to cover the fixture.
- 4.Please keep away from the corrosive substance, and keep the fixture dry and clean.
- 5.Working temperature: -4°F~113°F, storage temperature: -22°F~140°F.