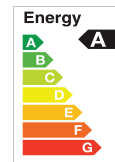
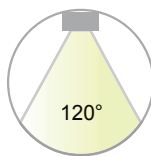




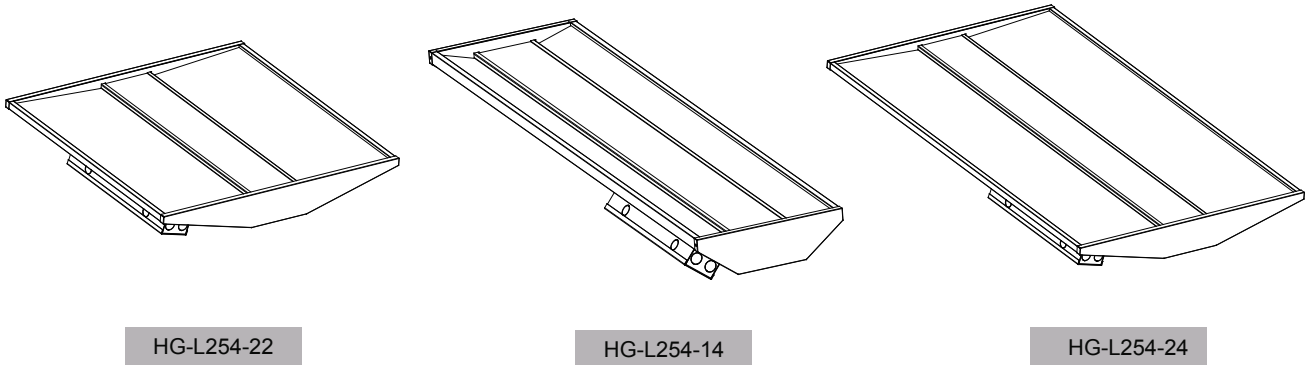
# LED Troffer Light



## Features & Benefits

1. 125lm/w for options.
2. Die formed of 0.6mm cold-rolled steel body.
3. 0-10v dimming, universal voltage: 100-277v.
4. Wide application for: school, hospital, super market, office and warehouse.
5. Fully recessed luminaire fits standard T-Grid ceilings.
6. High-diffusion light-milky PS diffuser .
7. 5-year warranty.

## Product Dimension



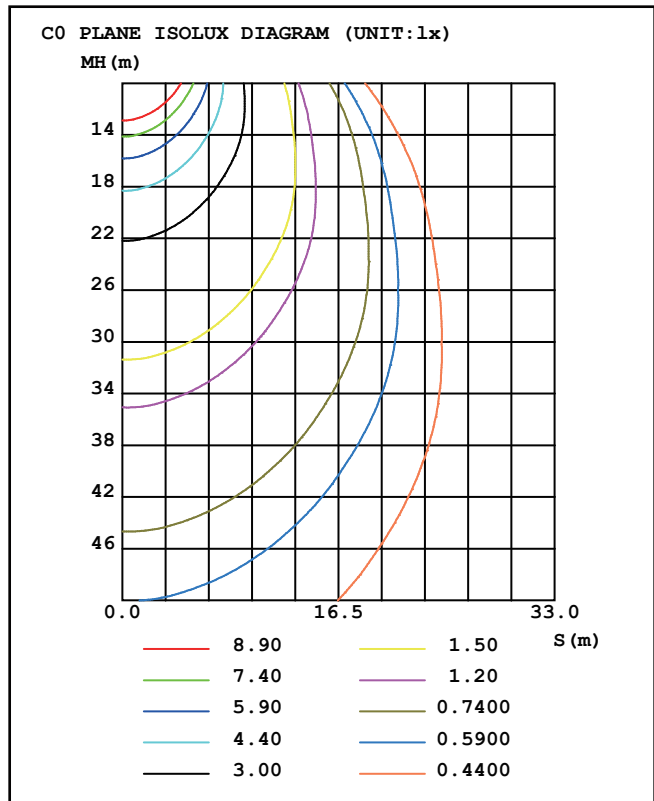
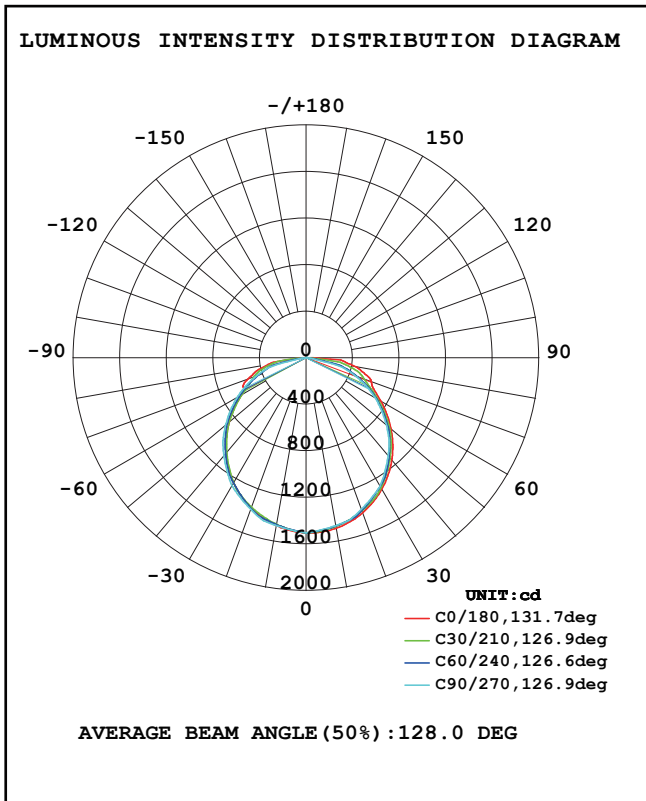
Model	L×W×H
HG-L254-22	603x603x80 (mm)/23.74"x23.74"x3.15"
HG-L254-14	1213x303x80 (mm)/47.76"x23.74"x3.15"
HG-L254-24	1213x603x80(mm)/47.76"x23.74"x3.15"

## Specification

Part No.	Power	Input Voltage	Luminous Flux	Luminous Efficacy	CCT	Viewing Angle	Ra	PF	Warranty
HG-L254-22-27W	27W	AC100-277V	3375lm	125lm/W	3500K 4000K 5000K	120°	>80	>0.9	5Years
HG-L254-22-36W	36W		4500lm						
HG-L254-14-30W	30W		3750lm						
HG-L254-14-40W	40W		5000lm						
HG-L254-24-40W	40W		5000lm						
HG-L254-24-50W	50W		6250lm						



### Testing Report



### Applications





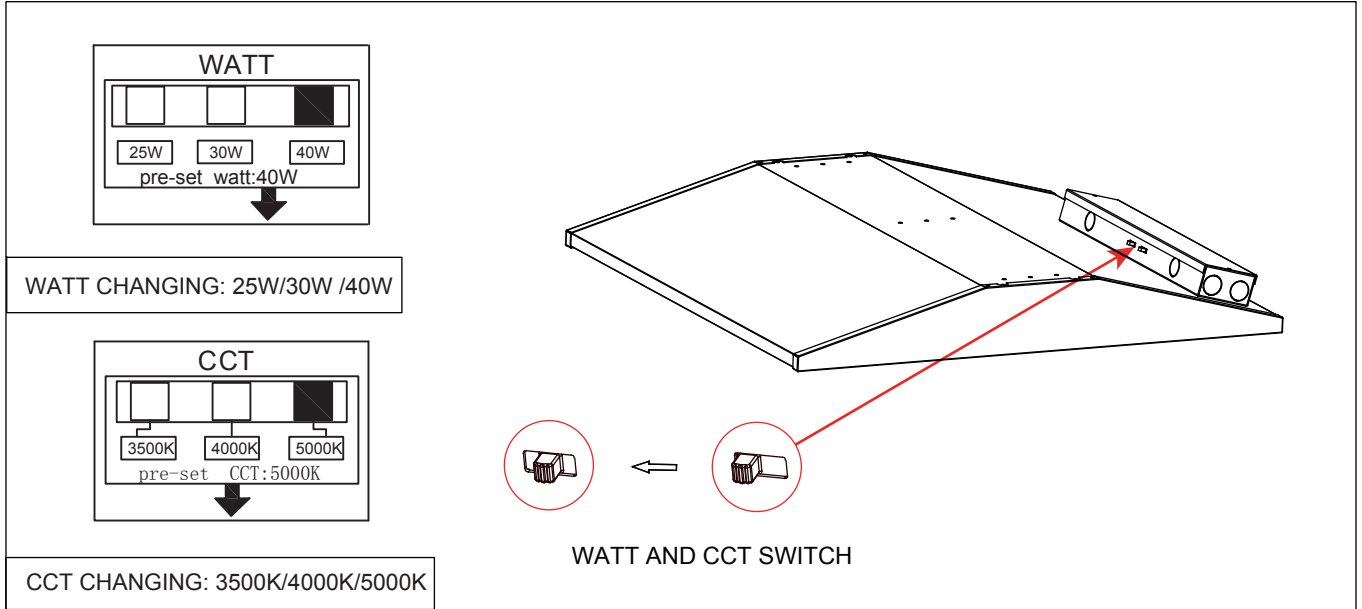
### Uncorrected UGR Table

ceiling/cavity	0.7	0.7	0.5	0.5	0.3	0.7	0.7	0.5	0.5	0.3
walls	0.5	0.3	0.5	0.3	0.3	0.5	0.3	0.5	0.3	0.3
working plane	0.2	0.2	0.2	0.2	0.2	0.2	0.2	0.2	0.2	0.2
Room dimensions	Viewed crosswise					Viewed endwise				
x = 2H y = 2H	15.6	17.1	15.9	17.3	17.5	16.5	17.9	16.8	18.1	18.3
3H	16.8	18.2	17.1	18.4	18.6	17.8	19.2	18.1	19.4	19.6
4H	17.3	18.6	17.6	18.8	19.1	18.3	19.6	18.6	19.8	20.1
6H	17.6	18.8	17.9	19.1	19.4	18.3	19.5	18.6	19.8	20.1
8H	17.7	18.9	18.0	19.1	19.4	18.3	19.4	18.6	19.7	20.0
12H	17.8	18.9	18.1	19.2	19.5	18.2	19.3	18.6	19.6	19.9
4H 2H	16.2	17.5	16.5	17.7	18.0	16.9	18.2	17.2	18.4	18.7
3H	17.6	18.7	17.9	19.0	19.3	18.4	19.5	18.8	19.8	20.1
4H	18.1	19.1	18.5	19.5	19.8	19.0	20.0	19.4	20.3	20.6
6H	18.5	19.4	18.9	19.8	20.1	19.0	19.9	19.4	20.3	20.7
8H	18.7	19.5	19.1	19.9	20.2	19.0	19.8	19.4	20.2	20.6
12H	18.7	19.5	19.2	19.9	20.3	19.0	19.7	19.4	20.1	20.5
8H 4H	18.4	19.2	18.8	19.5	19.9	19.1	19.9	19.5	20.3	20.7
6H	18.9	19.5	19.3	19.9	20.4	19.2	19.9	19.7	20.3	20.7
8H	19.0	19.6	19.5	20.1	20.5	19.2	19.8	19.6	20.2	20.6
12H	19.1	19.7	19.6	20.1	20.6	19.1	19.6	19.6	20.1	20.6
12H 4H	18.3	19.1	18.7	19.5	19.9	19.1	19.9	19.5	20.2	20.6
6H	18.8	19.4	19.3	19.9	20.3	19.2	19.8	19.7	20.2	20.7
8H	19.0	19.5	19.5	20.0	20.5	19.2	19.7	19.6	20.1	20.6
Variations with the observer position at spacings:										
S = 1.0H	+ 0.2 / - 0.2					+ 0.2 / - 0.3				
1.5H	+ 0.1 / - 0.1					+ 0.1 / - 0.3				
2.0H	+ 0.3 / - 0.3					+ 0.4 / - 0.6				

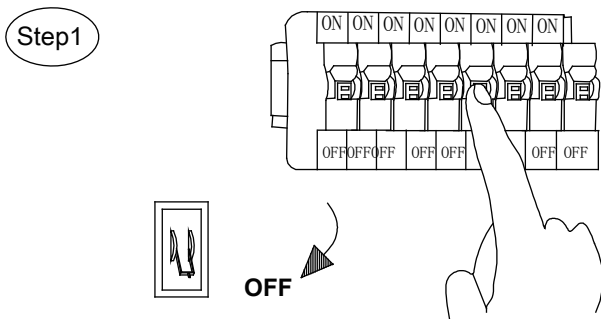
CIE Pub.117 Corrected 6500 lm Total Lamp Luminous Flux. (8log(F/F0) = 6.5)



## WATT AND CCT CHANGING



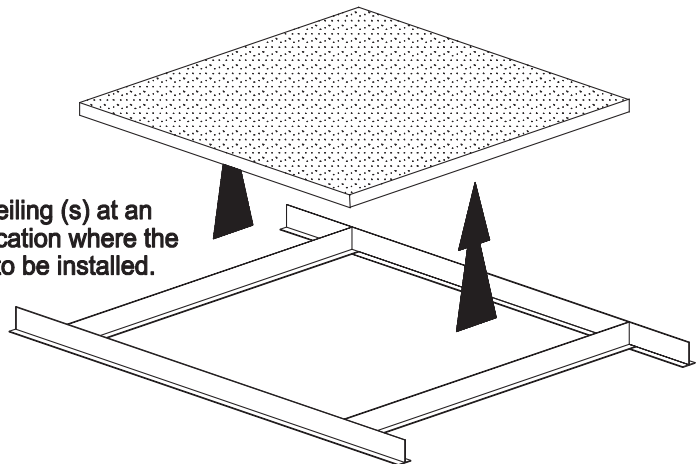
## Installation manual



Turn off the switch

Step2

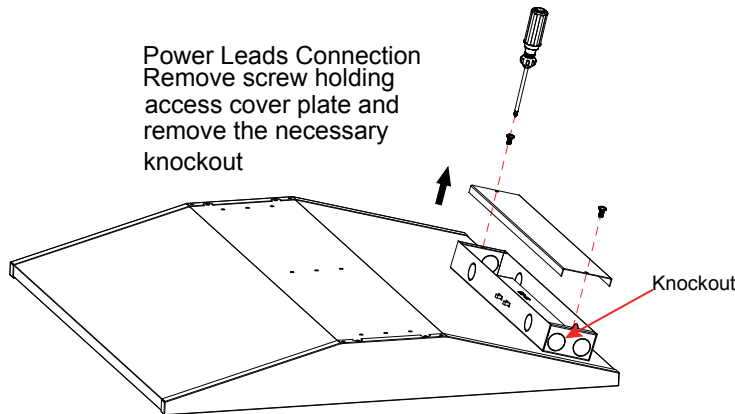
Remove the ceiling (s) at an appropriate location where the light fixture is to be installed.



Lighting for the future

Step3

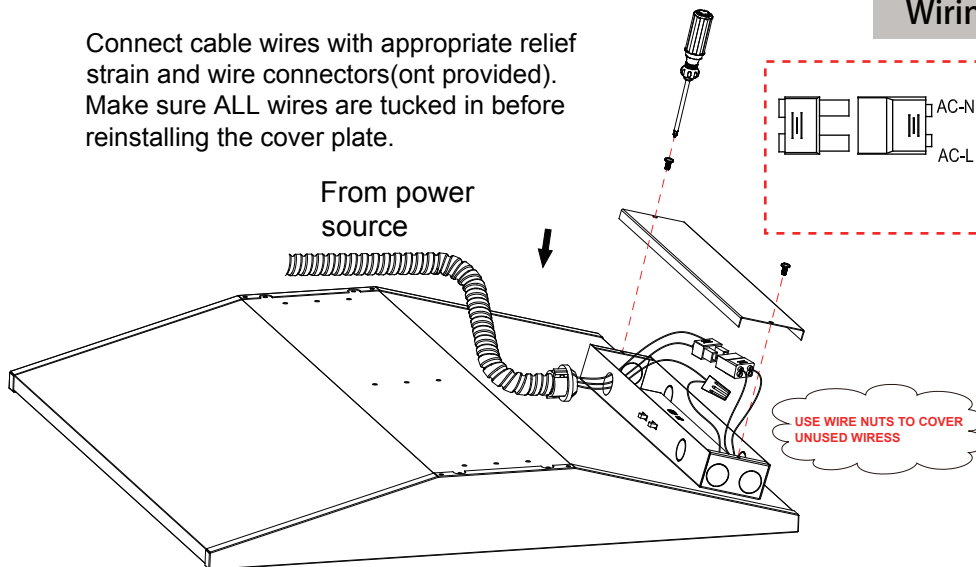
Power Leads Connection  
Remove screw holding  
access cover plate and  
remove the necessary  
knockout



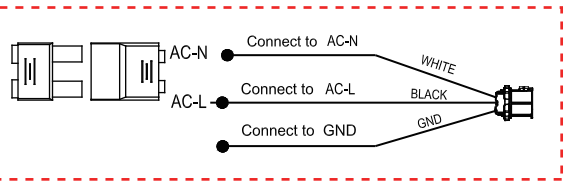
Step4

Turn off the power and wiring by using wire nuts.

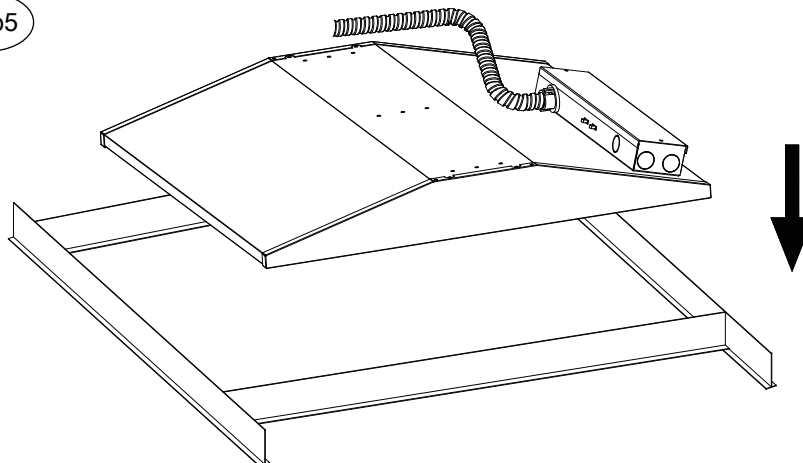
Connect cable wires with appropriate relief  
strain and wire connectors(ont provided).  
Make sure ALL wires are tucked in before  
reinstalling the cover plate.



Wiring Diagram



Step5





### Important

Read this instruction carefully before installation. Keep it for further reference.  
Make electrical and grounded connections in accordance with the national electrical code and any applicable code. Always turn off the power supply before installation.  
This product must be installed in accordance with the applicable installation code by a qualified electrician who is familiar with the construction and operation of the product and the hazards involved.

**WARNING:**

- ⚠ Risk of fire or electric shock. Fixture installation requires knowledge of luminaires electrical systems. If not qualified, DO NOT attempt installation. Contact a qualified electrician.
- ⚠ Risk of fire or electric shock. Suitable for wet locations. Always turn off the power supply before installation.
- ⚠ Risk of fire or electric shock. Suitable for non-insulated surface and frame. DO NOT cover fixture with insulation liner or similar material.
- ⚠ DO NOT install fixture on unstable, loose or easily breakable surface.
- ⚠ DO NOT exert force on the surface of the fixture.

### Packing /weight

Model No.	Outer box (L*W*H)	Qty/Ctn (pcs)	N.W/pcs (lbs/Kg)	G.W/Ctn (lbs/Kg)
HG-L254-22	25.2"x3.94"x25.39" 640*100*645mm	1	10.78/4.9	12.1/5.5
HG-L254-14	13.39"x3.94"x49.12" 340*100*1250mm	1	11 / 5	12.32/5.6
HG-L254-24	25.2"x3.94"x49.12" 640*100*1250mm	1	20.5/9.3	23.1/10.5

### Note

- 1.The installation and maintenance must be completed by electricians or professionals.
- 2.Please cut off the power before installation and maintenance.
- 3.The thermally insulating material is not allowed to cover the fixture.
- 4.Please keep away from the corrosive substance, and keep the fixture dry and clean.
- 5.Working temperature: -4°F~113°F, storage temperature: -22°F~140°F.