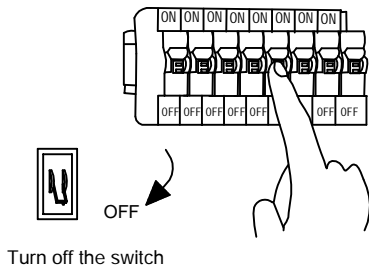
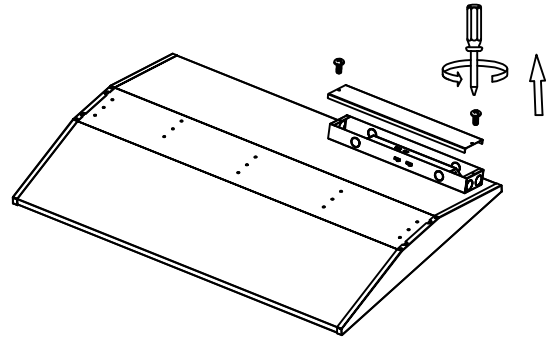


Step1

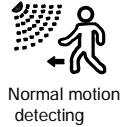
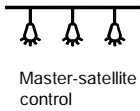
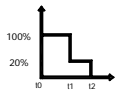
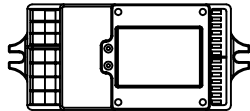


Step2

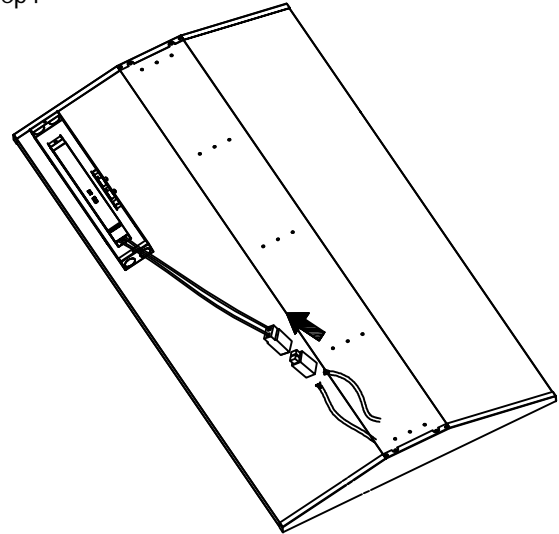


Step3

SENSOR



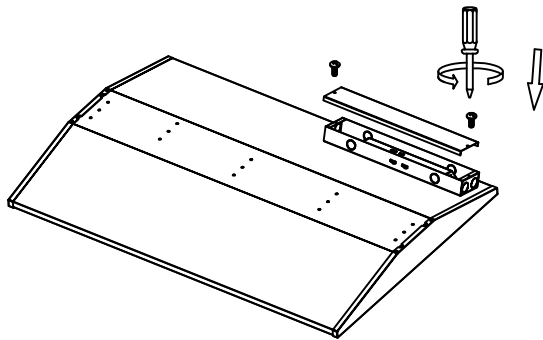
Step4



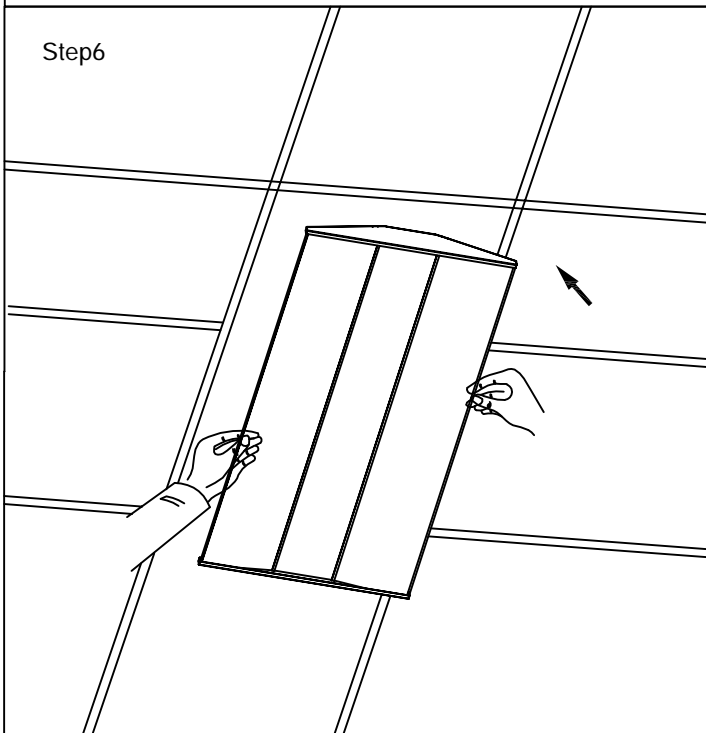
Customer self match hose and connector and please self match external power cord which meets safety regulations of installation and using area



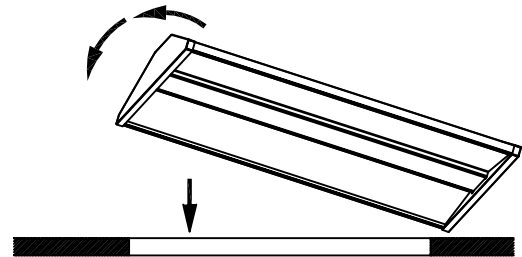
Step5



Step6

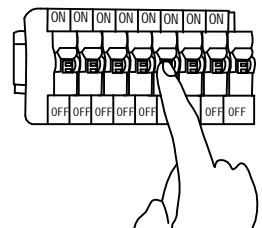


Step7



Step8

Turn on the switch



Caution: Please note that DO NOT use this product in the following places/application

1. The place has a large quantity of lampblack and smoke, such as: kitchen and Food processing factory etc.
2. The place has a large quantity of chemical corrosive substance, such as: chemical plant and stockyard etc.
3. The place has poor temperature conditions, large-scale temperature variation, which would easily lead to broken and damage the product, the applicable operating temperature is between -15 and 45 degrees.