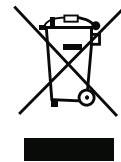
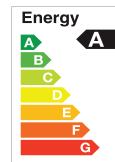
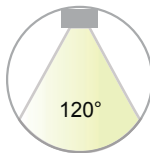
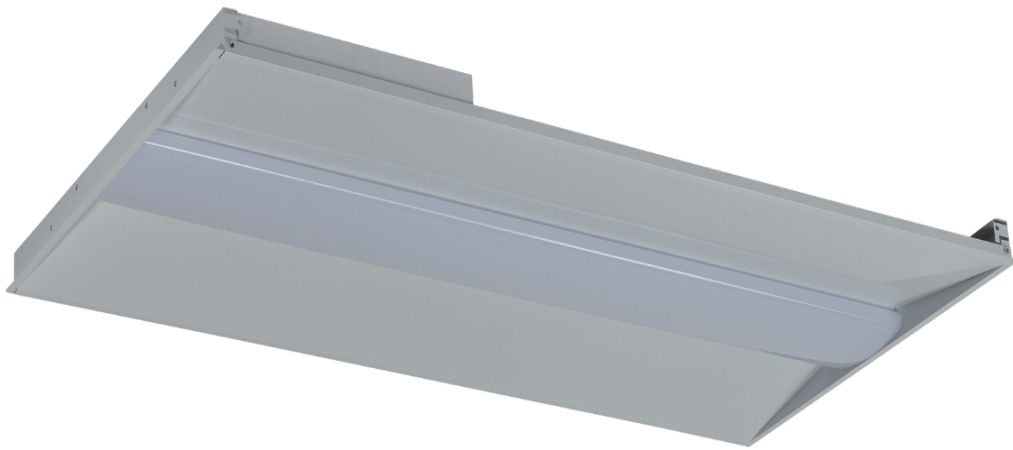




LED TROFFER

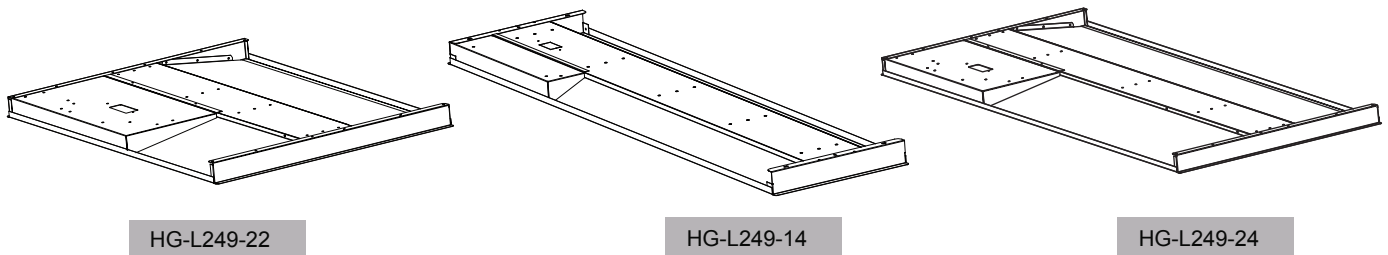


RoHS

Features & Benefits

1. 130lm/w for options.
2. Die formed of 0.5mm cold-rolled steel body.
3. 0-10v dimming, universal voltage: 100-277v.
4. Wide application for: school, hospital, super market, office and warehouse.
5. Fully recessed luminaire fits standard T-Grid ceilings.
6. High-diffusion light-milky PC diffuser .
7. 5-year warranty.

Product Dimension



| Model | L×W×H |
|------------|--------------------------------------|
| HG-L249-22 | 603x603x45 (mm)/23.74"x23.74"x1.77" |
| HG-L249-24 | 1213x603x45 (mm)/47.76"x23.74"x1.77" |
| HG-L249-14 | 1213x303x45 (mm)/47.76"x11.93"x1.77" |

Specification

SN: WITH SENSOR

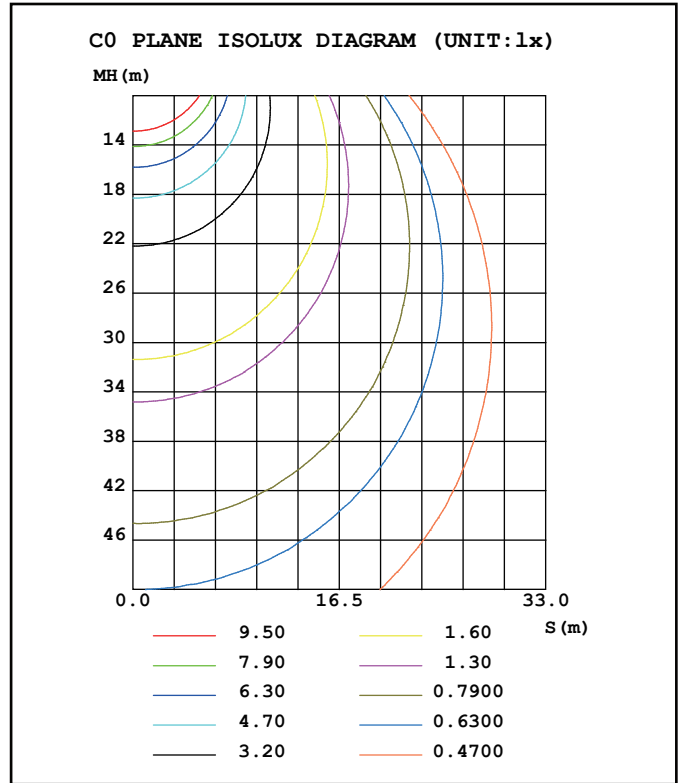
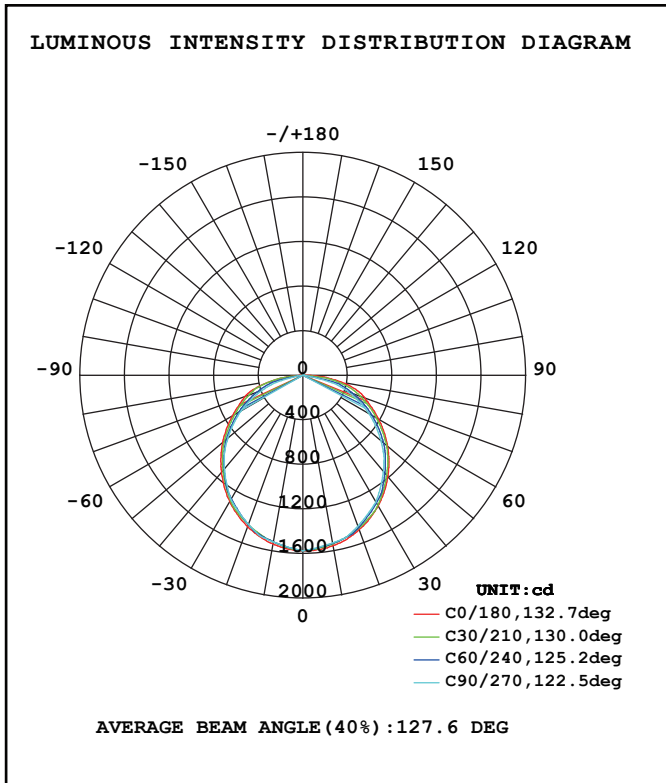
| Part No. | Power | Input Voltage | Luminous Flux | Luminous Efficacy | CCT | Viewing Angle | Ra | PF | Warranty |
|-------------------------------|-----------------|---------------|---------------|-------------------|----------------------------------|---------------|-----|------|----------|
| HG-L249-14/36W-SN | 36W | AC100-277V | 4680lm | 130lm/W | 3000K 3500K 4000K 5000K | 120 ° | >80 | >0.9 | 5Years |
| HG-L249-14/50W-SN | 50W | | 6500lm | | | | | | |
| HG-L249-22/24W-SN | 24W | | 3120lm | | | | | | |
| HG-L249-24/24W-SN | 24W | | 3120lm | | | | | | |
| HG-L249-24/36W-SN | 36W | | 4680lm | | | | | | |
| HG-L249-24/42W-SN | 42W | | 5460lm | | | | | | |
| HG-L249-24/50W-SN | 50W | | 6500lm | | | | | | |
| HG-L249-22/20W/24W/36W | 20W/24W/36W | | 5250lm | | | | | | |
| HG-L249-24/24W/36W/42W/50W | 24W/36W/42W/50W | | 6250lm | | | | | | |
| HG-L249-24/24W/36W/42W/50W-SN | 24W/36W/42W/50W | | 3000lm | | | | | | |

The following multiple functions can be achieved according to customers' requests:

1. CCT options: 3000K,3500K, 4000K, 5000K.
2. Available with external or built-in microwave motion sensor.
3. Emergency: the power is 8W, it can still work in 1.5hrs while emergency situation.



Testing Report



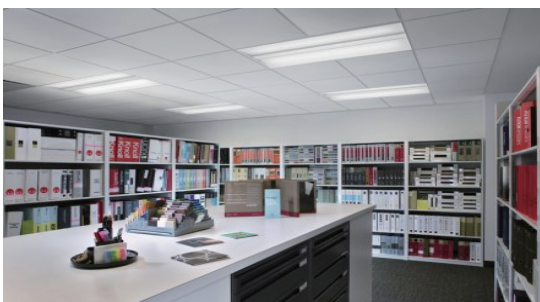
Applications



Office



Bank



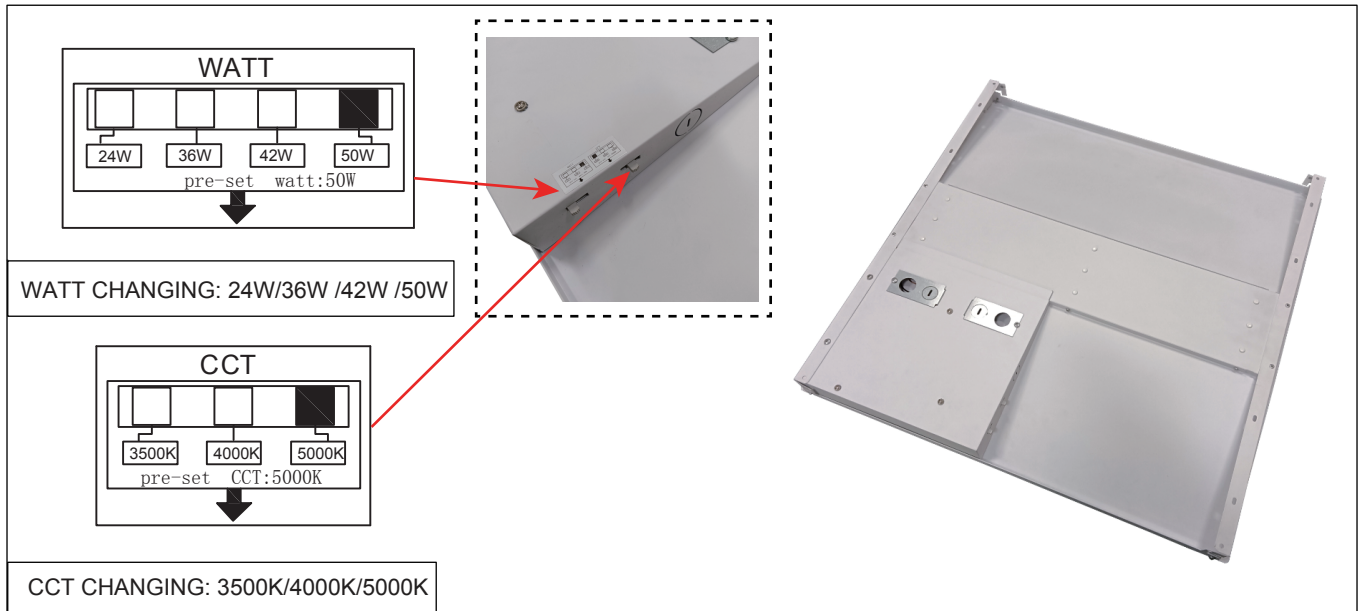
Library



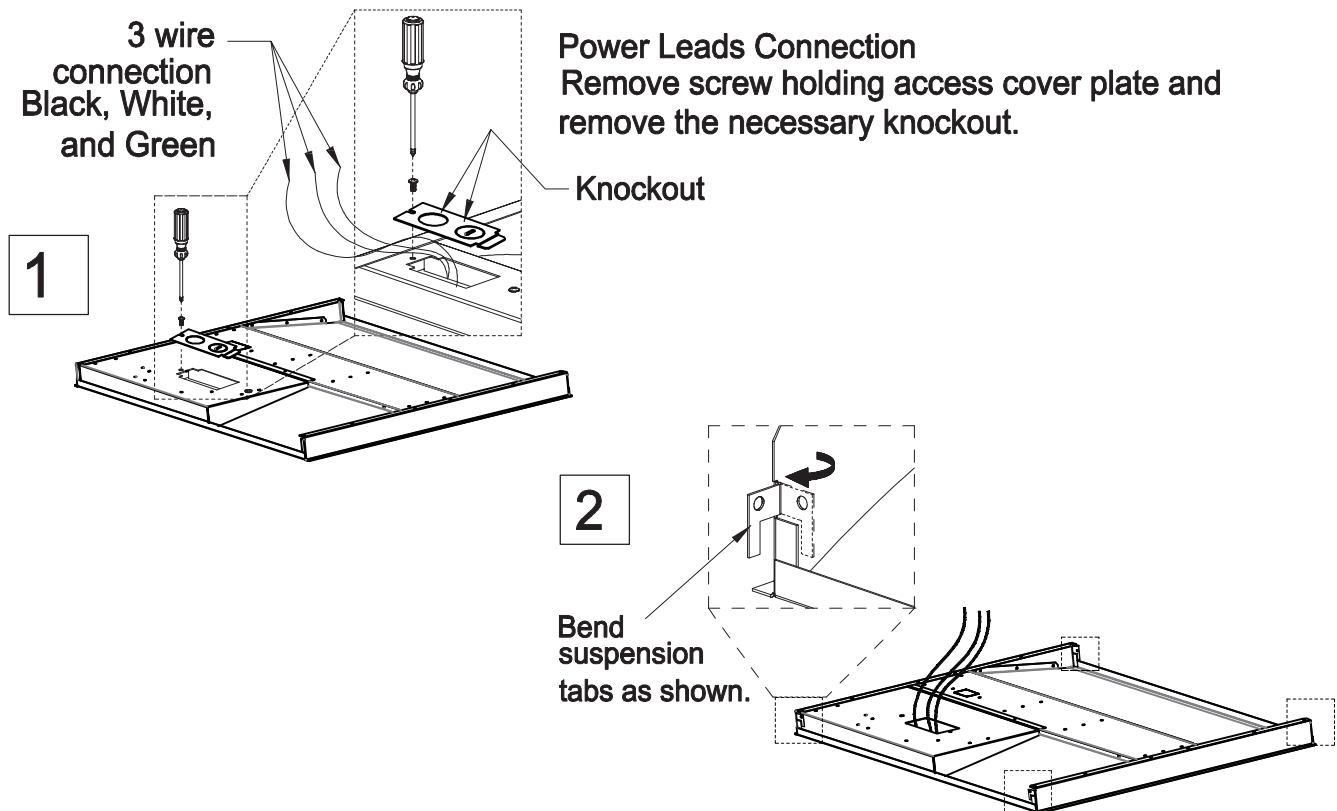
Supermarket



OPTION

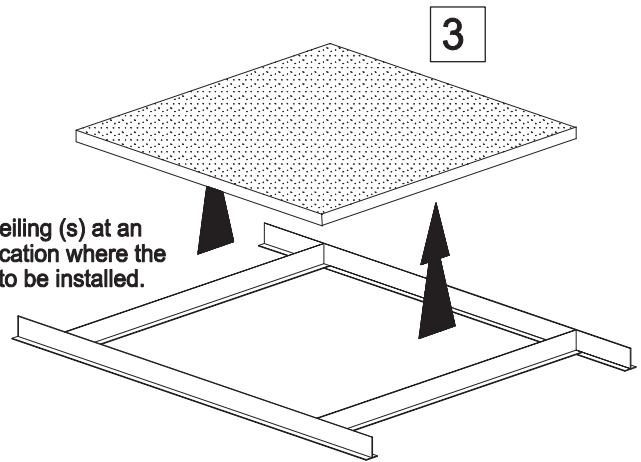


Installation manual



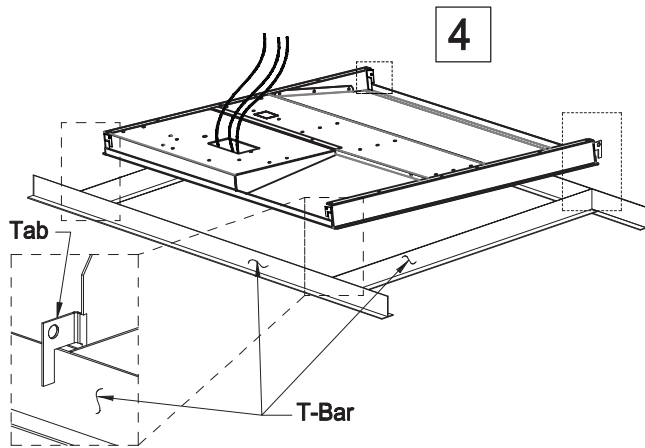


Lighting for the future

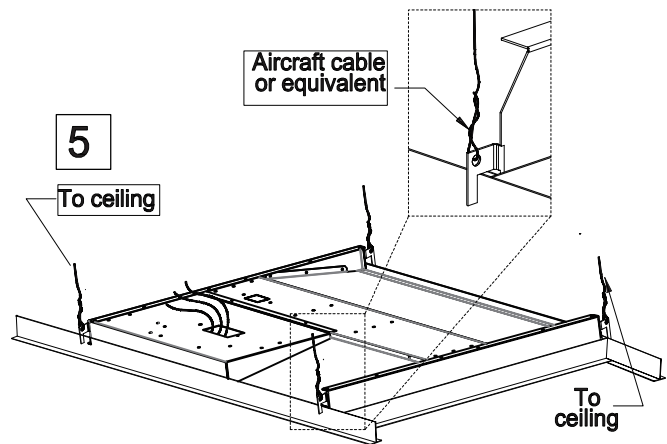


Remove the ceiling (s) at an appropriate location where the light fixture is to be installed.

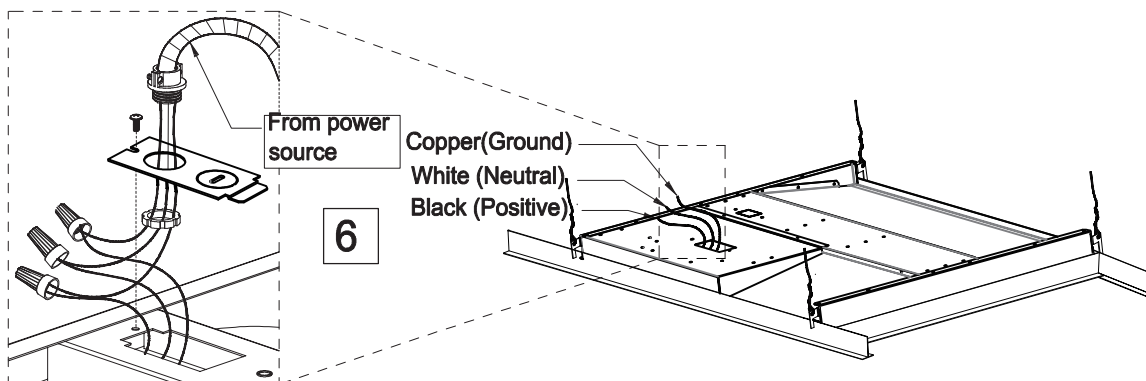
Set light fixture into the suspension with tabs. Hang over the T-Bar as shown.



After securing the light fixture to the T-Bar, secure the light fixture to the ceiling with aircraft cable or wires capable of supporting 100 lbs. minimum.



Connect cable wires with appropriate relief strain and wire connectors (not provided). Make sure ALL wires are tucked in before reinstalling the cover plate.





Important

Read this instruction carefully before installation. Keep it for further reference.
Make electrical and grounded connections in accordance with the national electrical code and any applicable code. Always turn off the power supply before installation.
This product must be installed in accordance with the applicable installation code by a qualified electrician who is familiar with the construction and operation of the product and the hazards involved.

WARNING:

- ⚠ Risk of fire or electric shock. Fixture installation requires knowledge of luminaires electrical systems. If not qualified, DO NOT attempt installation. Contact a qualified electrician.
- ⚠ Risk of fire or electric shock. Suitable for wet locations. Always turn off the power supply before installation.
- ⚠ Risk of fire or electric shock. Suitable for non-insulated surface and frame. DO NOT cover fixture with insulation liner or similar material.
- ⚠ DO NOT install fixture on unstable, loose or easily breakable surface.
- ⚠ DO NOT exert force on the surface of the fixture.

Packing /weight

| Model No. | Outer box (L*W*H) | Qty/Ctn (pcs) | N.W/pcs (lbs/Kg) | G.W/Ctn (lbs/Kg) |
|------------|---|---------------|------------------|------------------|
| HG-L249-22 | 25.4"x4.13"x25.59" 645 x 105 x 650mm | 2 | 7.04/3.2 | 16.3/7.4 |
| HG-L249-14 | 13.58"x4.13"x49.21" 345 x 105 x 1250mm | 2 | 8.36/3.8 | 19.14/8.7 |
| HG-L249-24 | 25.4"x4.13"x49.21" 645 x 105 x 1250mm | 2 | 13.2/6 | 31.9/14.5 |

Note

- 1.The installation and maintenance must be completed by electricians or professionals.
- 2.Please cut off the power before installation and maintenance.
- 3.The thermally insulating material is not allowed to cover the fixture.
- 4.Please keep away from the corrosive substance, and keep the fixture dry and clean.
- 5.Working temperature: -4°F~113°F, storage temperature: -22°F~140°F.