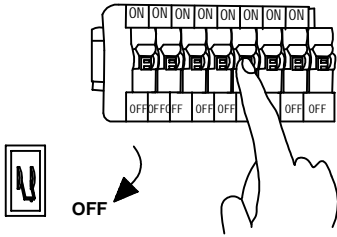
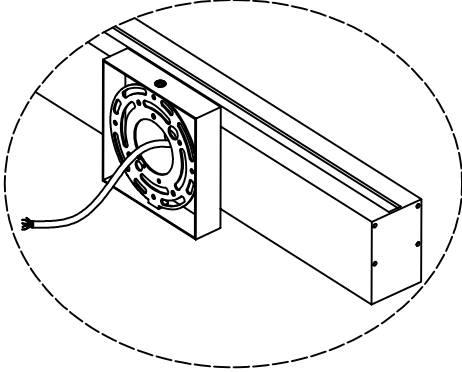
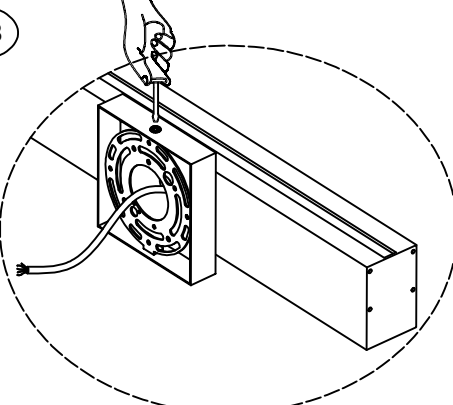
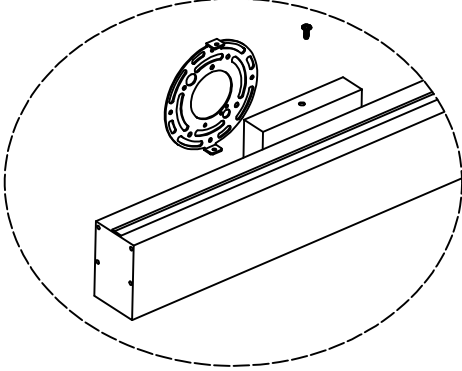
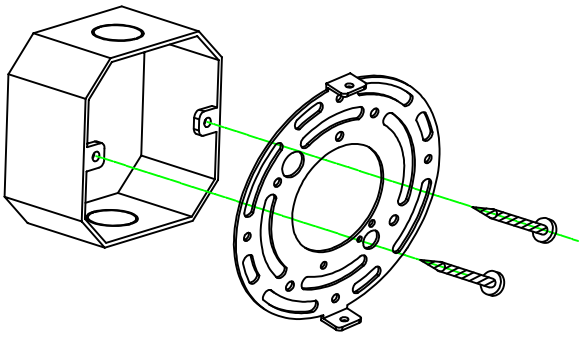
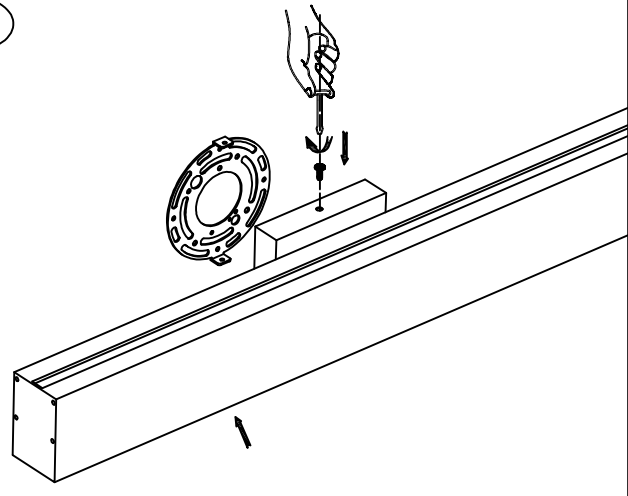
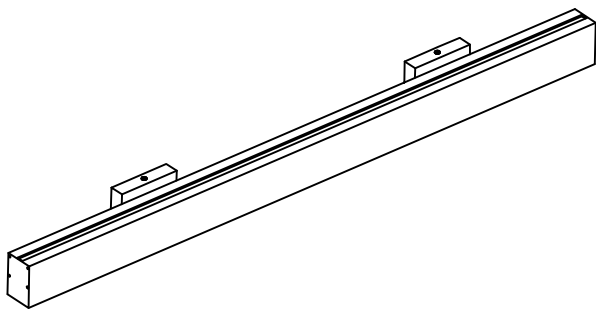
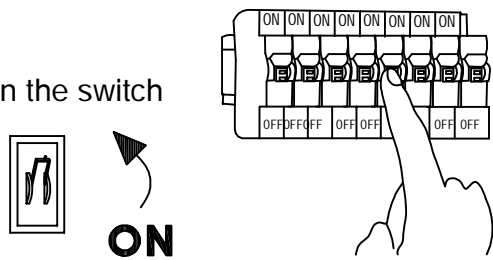


HG-L242

Installation Manual

<p>Step1</p>  <p>Turn off the switch</p>	<p>Step2</p> 
<p>Step3</p> 	<p>Step2</p> 
<p>Step5</p> 	<p>Step6</p> 
	<p>Step7</p> <p>Turn on the switch</p> 

Caution: Please note that **DONOT** use this product in the following places/application

1. The place has a large quantity of lamp black and smoke, such as: kitchen and Food processing factory etc.
2. The place has a large quantity of chemical corrosive substance, such as: chemical plant and stockyard etc.
3. The place has poor temperature conditions, large-scale temperature variation, which would easily lead to broken and damage the product, the applicable operating temperature is between -15 and 45 degrees.