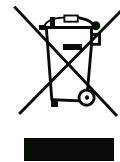
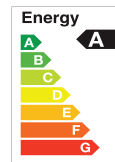
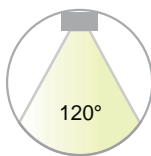




LED UP AND DOWN Light

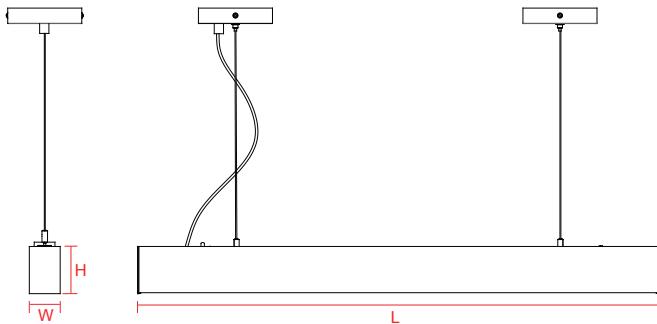




Features & Benefits

1. 115lm/w for options.
2. Housing: extruded aluminum material .
3. 0-10v dimming, universal voltage: 100-277v.
4. Available with suspending installation.
5. Wide application for: school, hospital, super market, office and warehouse.
6. 4ft and 8ft dimensions for variety choices.
7. 5-year warranty.

Product Dimension



Model	L×W×H
HG-L242S-252F	600x50x100(mm) 23.6"x1.97"x3.94"
HG-L242S-504F	1165x50x100(mm) 45.87"x1.97"x3.94"
HG-L242S-756F	1818x50x100(mm) 71.57"x1.97"x3.94"
HG-L242S-1008F	2438x50x100(mm) 95.98"x1.97"x3.94"

Specification

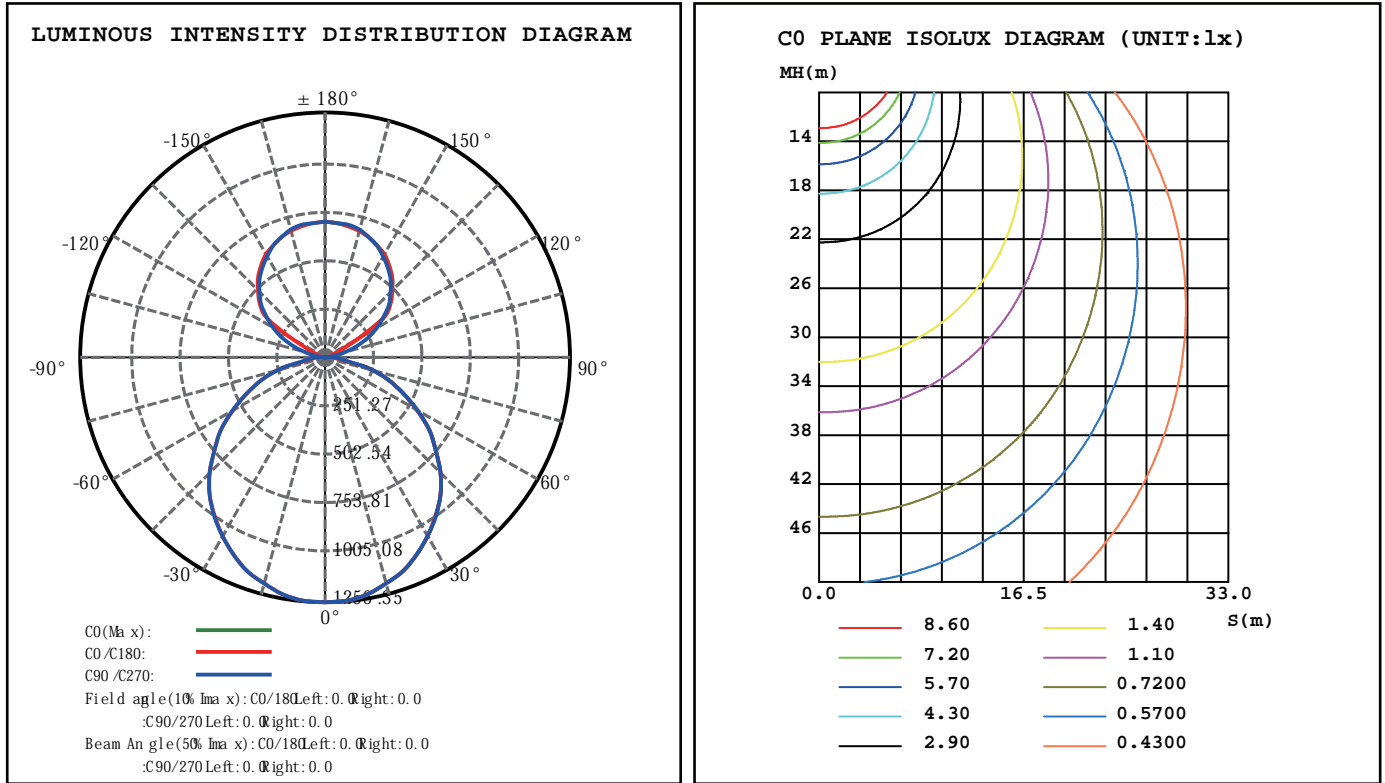
Model	Length	Max watt	Down light watt	Un light watt	Input Voltage	Luminous Flux	Luminous Efficacy	CCT	Viewing Angle	Ra	PF	Warranty
HG-L242S-131F	1'	13W	13W		AC100-277V	1495lm	115lm/W	3000K 3500K 4000K 5000K	120°	>80	>0.9	5Years
HG-L242S-252F	2'	25W	20W/15W/10W	5W/4W/3W		2875lm						
HG-L242S-504F	4'	50W	40W/30W/20W	10W/8W/5W		5750lm						
HG-L242S-756F	6'	75W	60W/45W/30W	15W/10W/5W		8625lm						
HG-L242S-1008F	8'	100W	80W/60W/40W	20W/15W/10W		11500lm						
L SHAPE CORNE (120 degree)		7W	7W			805lm						
Y SHAPE CORNER		7W	7W			805lm						
L SHAPE CORNER		7W	7W			805lm						
T SHAPE CORNER		7W	7W			805lm						
L SHAPE CORNE RWALL MOUNT		7W	7W			805lm						
X SHAPE CORNER		7W	7W			805lm						
T SHAPE CORNER 600*600	2'*2'	50W	40W/30W/20W	10W/8W/5W		4600lm						
L SHAPE CORNER 600*600	2'*2'	50W	40W/30W/20W	10W/8W/5W		4600lm						

The following multiple functions can be achieved according to customers' requests:

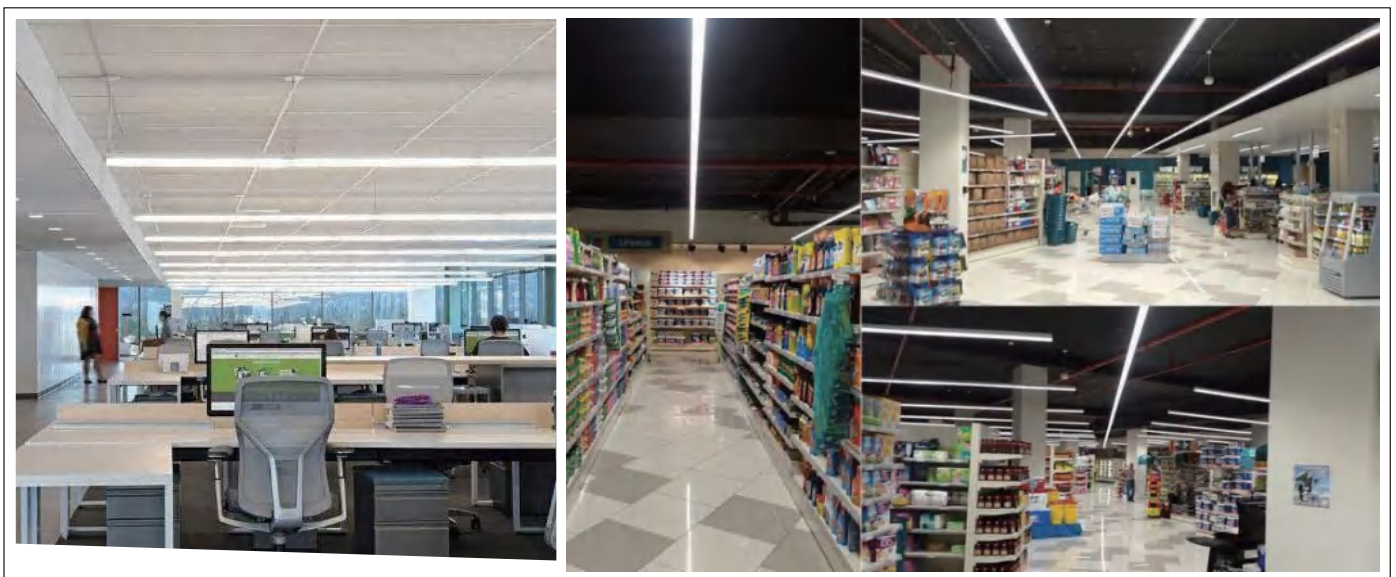
1. CCT options: 3000K,3500K, 4000K, 5000K.
2. Available with external or built-in microwave motion sensor.
3. Emergency: the power is 8W, it can still work in 1.5hrs while emergency situation.



Testing Report

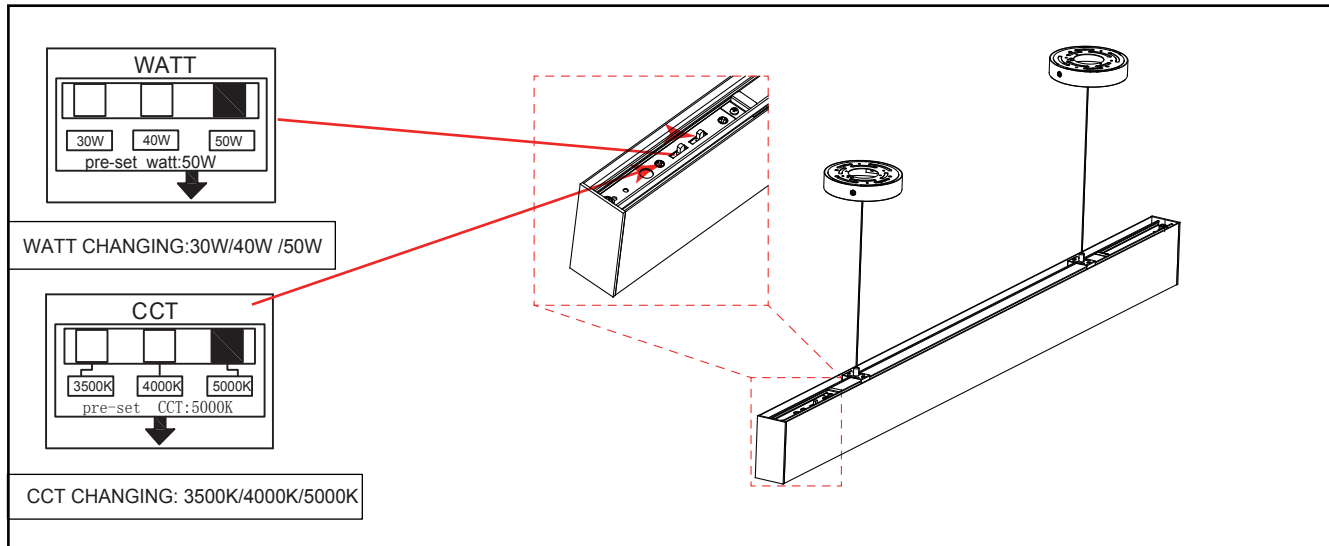


Applications

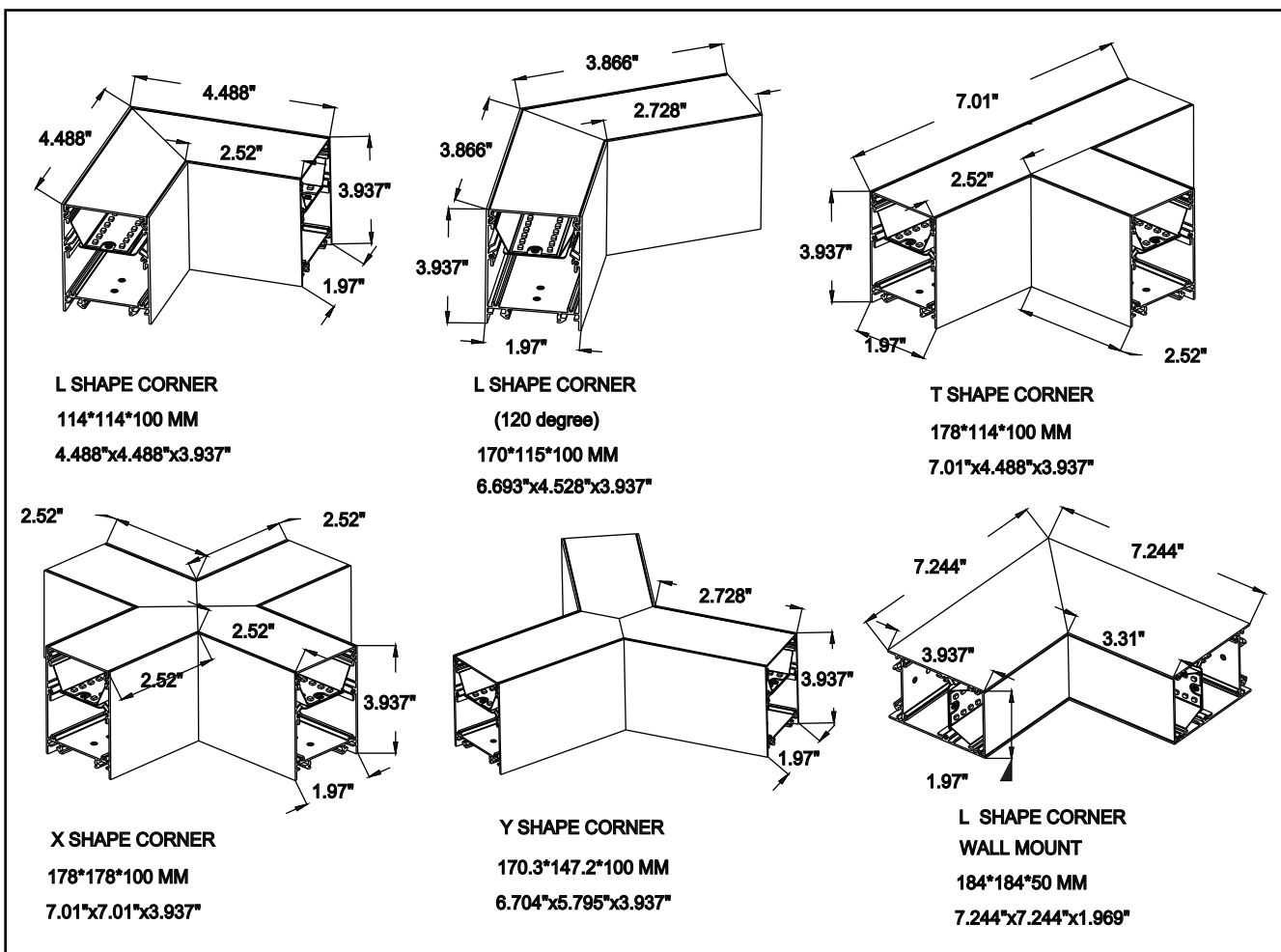




CCT CHANGING AND WATT CHANGING

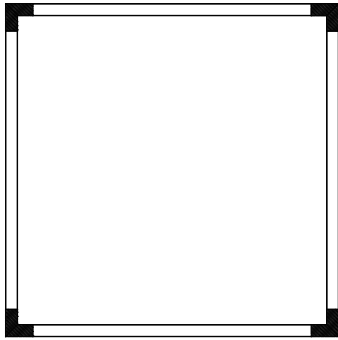


CORNER TYPE

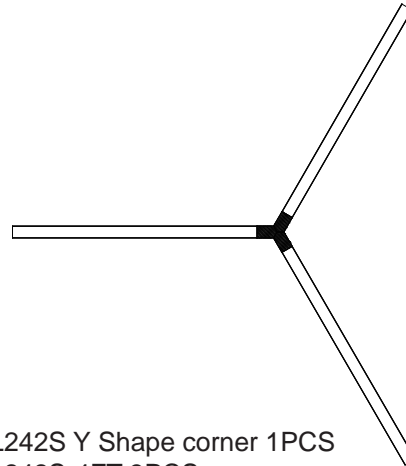




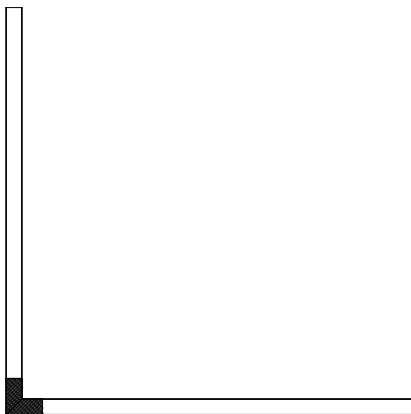
Combination Graphics



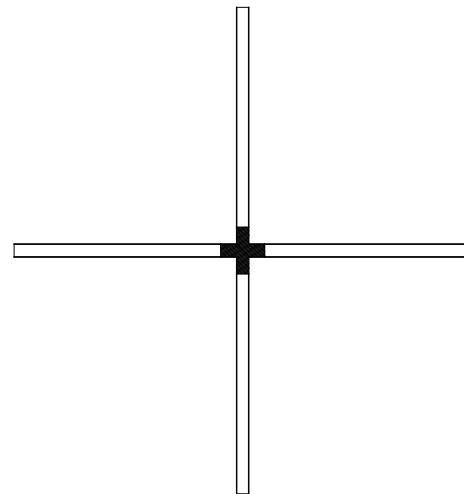
HG-L242S L Shape corner 4PCS
HG-L242S-4FT 4PCS



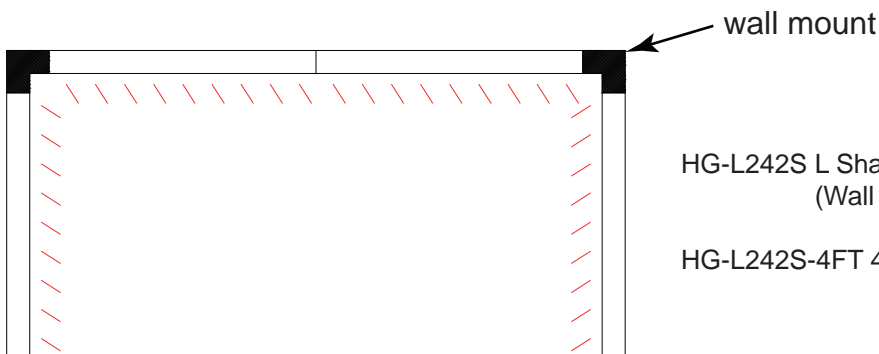
HG-L242S Y Shape corner 1PCS
HG-L242S-4FT 3PCS



HG-L242S L Shape corner 1PCS
HG-L242S-4FT 2PCS



HG-L242S X Shape corner 1PCS
HG-L242S-4FT 4PCS

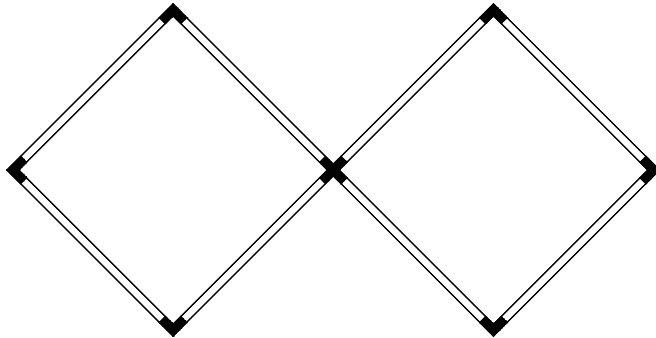


HG-L242S L Shape corner 2PCS
(Wall mount)

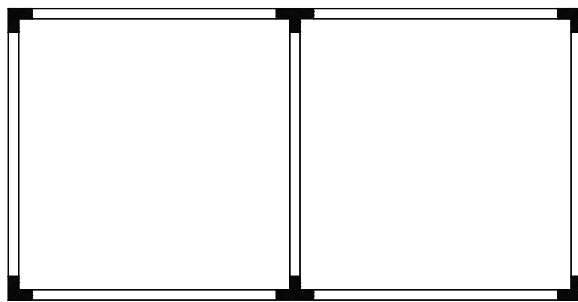
HG-L242S-4FT 4PCS



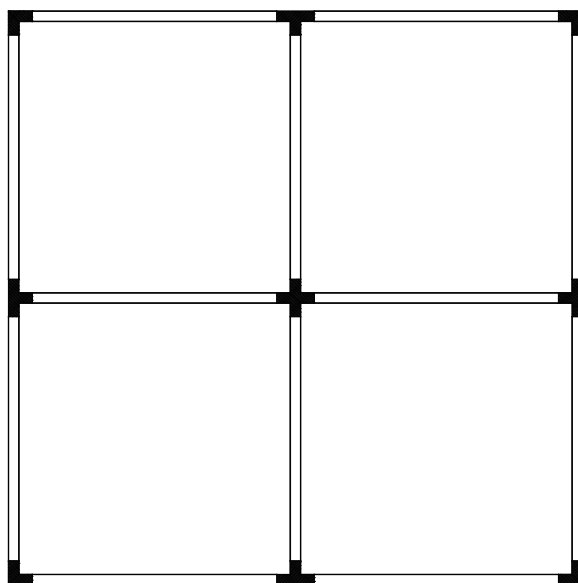
Combination Graphics



HG-L242S L Shape corner 6PCS
HG-L242S X Shape corner 1PCS
HG-L242S-4FT 8PCS



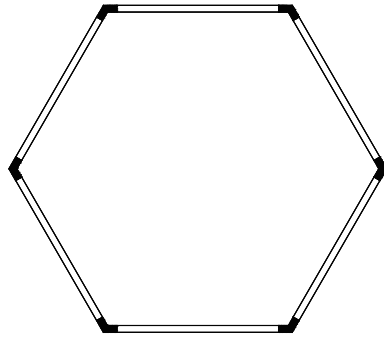
HG-L242S L Shape corner 4PCS
HG-L242S T Shape corner 2PCS
HG-L242S-4FT 7PCS



HG-L242S L Shape corner 4PCS
HG-L242S T Shape corner 4PCS
HG-L242S X Shape corner 1PCS
HG-L242S-4FT 12PCS

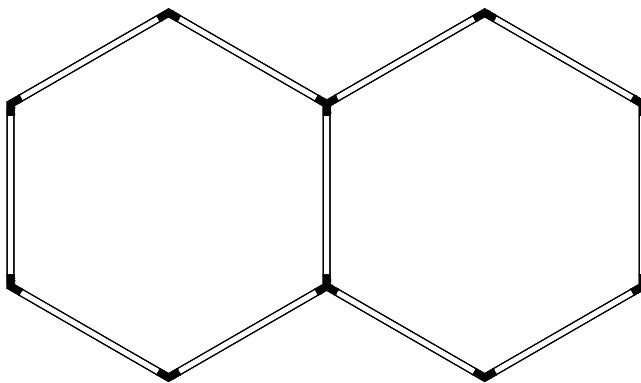


Combination Graphics



HG-L242S L Shape corner 6PCS
(120 degree)

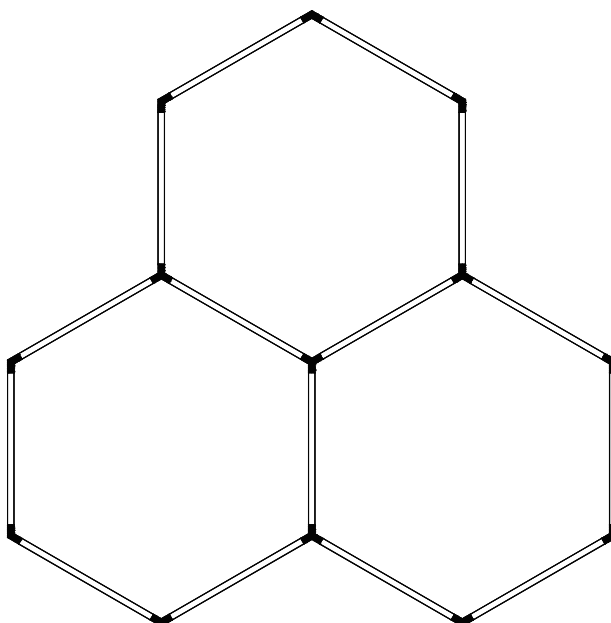
HG-L242S-4FT 6PCS



HG-L242S L Shape corner 8PCS
(120 degree)

HG-L242S Y Shape corner 2PCS

HG-L242S-4FT 11PCS



HG-L242S L Shape corner 9PCS
(120 degree)

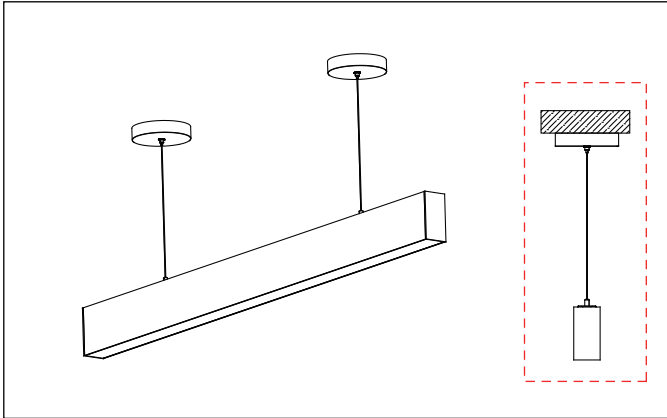
HG-L242S Y Shape corner 4PCS

HG-L242S-4FT 15PCS

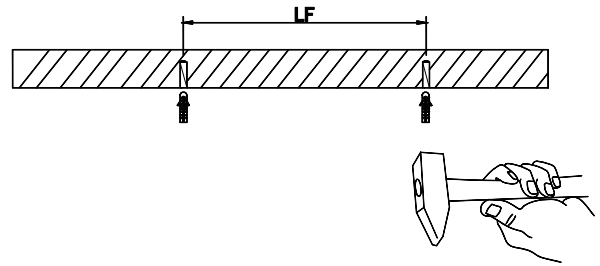


Installation manual

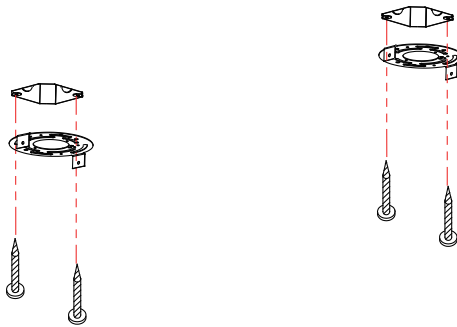
A.Suspending installation



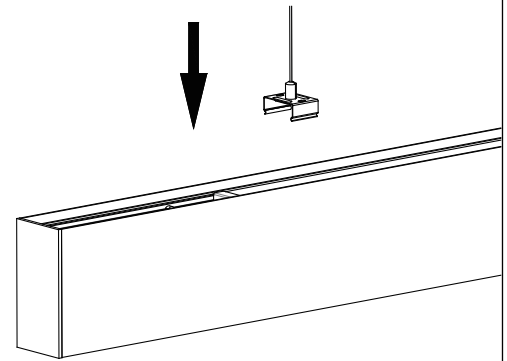
Step1. Punch a hole on the wall and put the expansion tube inside.



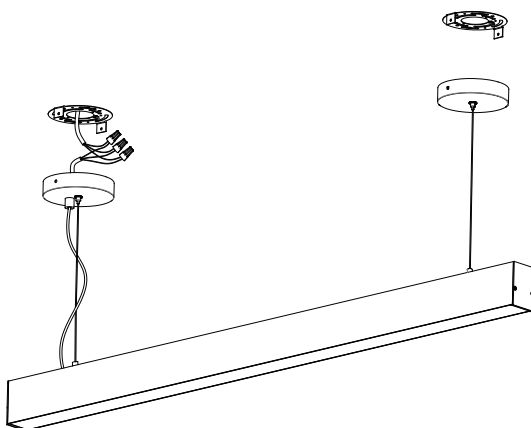
Step2.



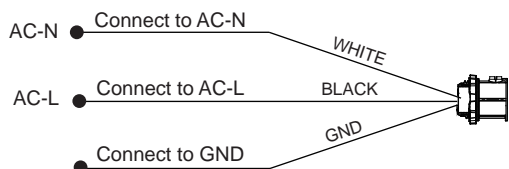
Step3.



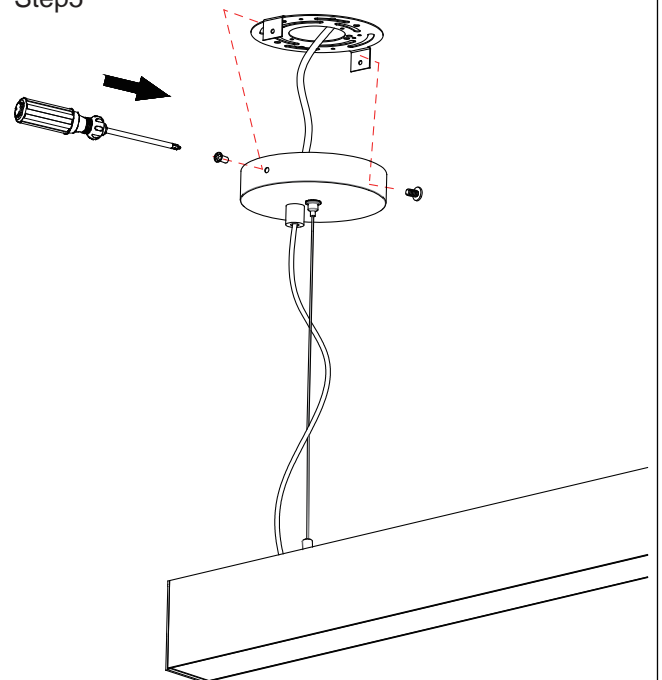
Step4. Turn off the power and wiring by using wire nuts.

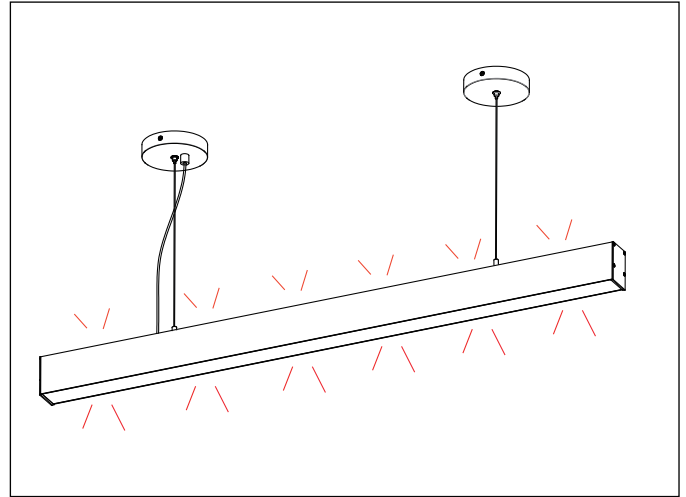
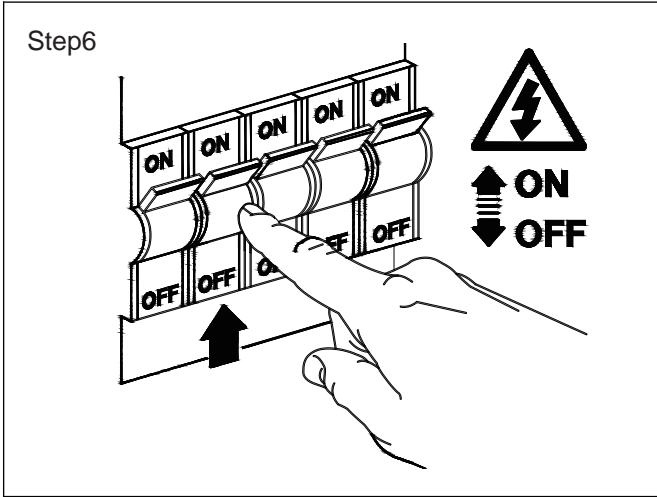


Wiring Diagram

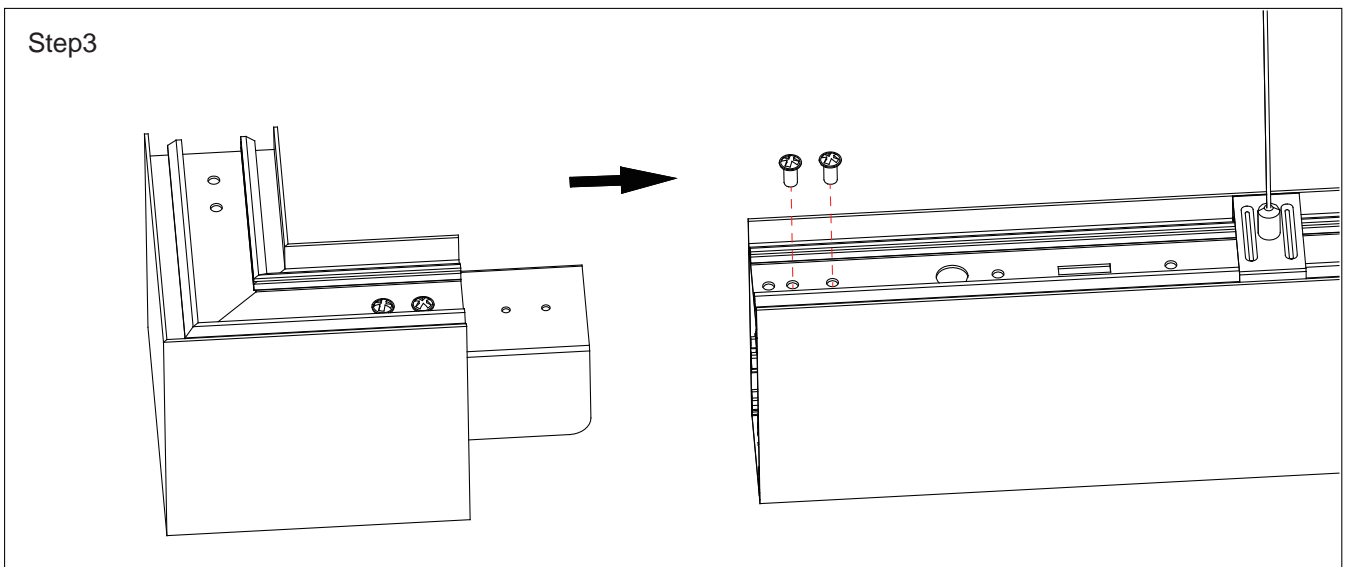
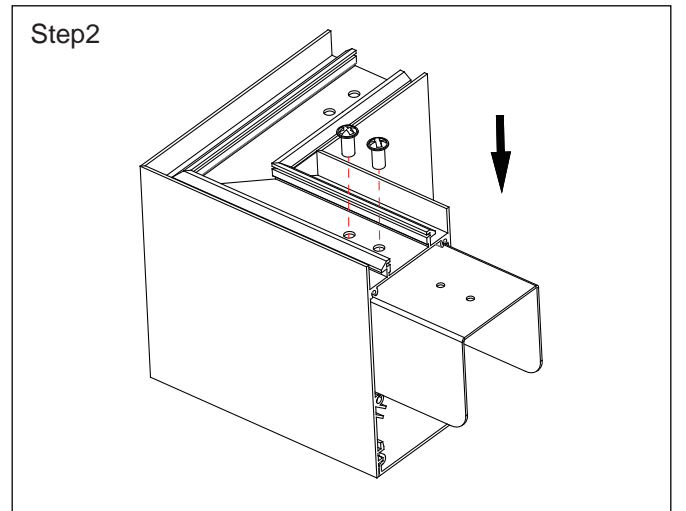
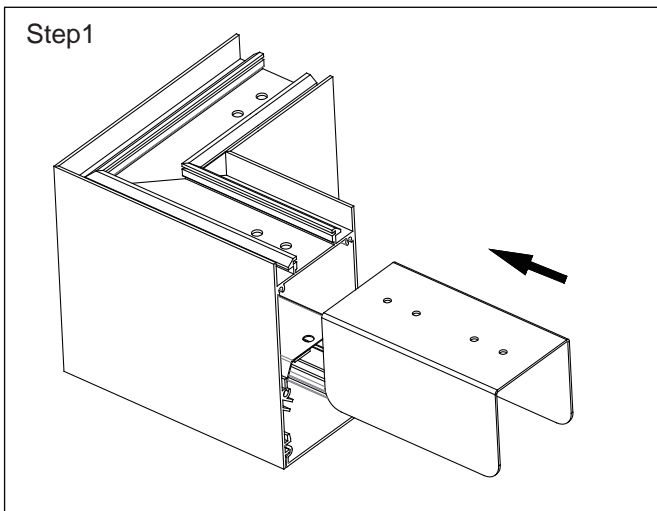


Step5





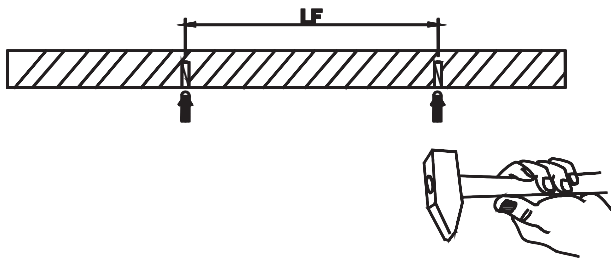
B. Corner connection



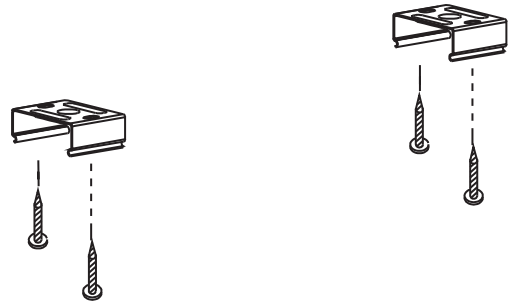


Installation manual Surface Mounted Installation

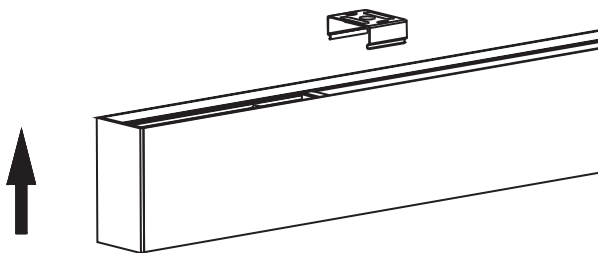
Step1: Punch a hole on the wall and put the expansion tube inside.



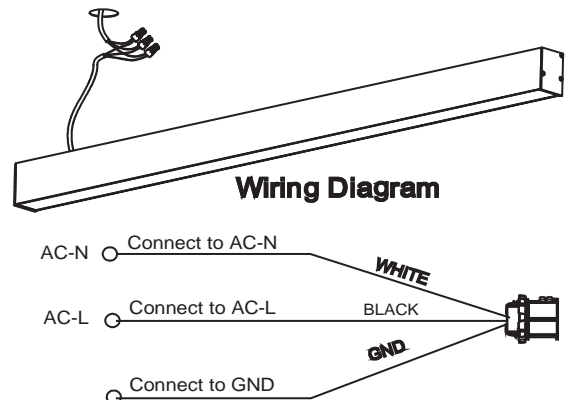
Step2



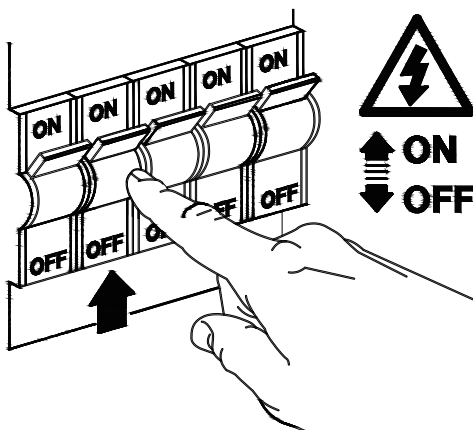
Step3



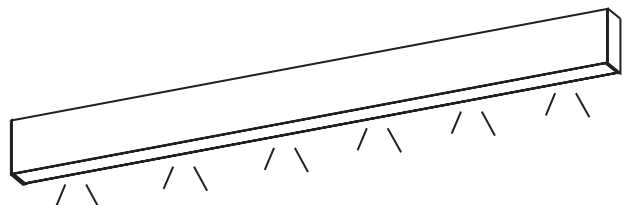
Step4: Turn off the power and wiring by using wire nuts.



Step5



Step6





Important

Read this instruction carefully before installation. Keep it for further reference.
 Make electrical and grounded connections in accordance with the national electrical code and any applicable code. Always turn off the power supply before installation.
 This product must be installed in accordance with the applicable installation code by a qualified electrician who is familiar with the construction and operation of the product and the hazards involved.

WARNING:

- ⚠ Risk of fire or electric shock. Fixture installation requires knowledge of luminaires electrical systems. If not qualified, DO NOT attempt installation. Contact a qualified electrician.
- ⚠ Risk of fire or electric shock. Suitable for wet locations. Always turn off the power supply before installation.
- ⚠ Risk of fire or electric shock. Suitable for non-insulated surface and frame. DO NOT cover fixture with insulation liner or similar material.
- ⚠ DO NOT install fixture on unstable, loose or easily breakable surface.
- ⚠ DO NOT exert force on the surface of the fixture.

Packing /weight

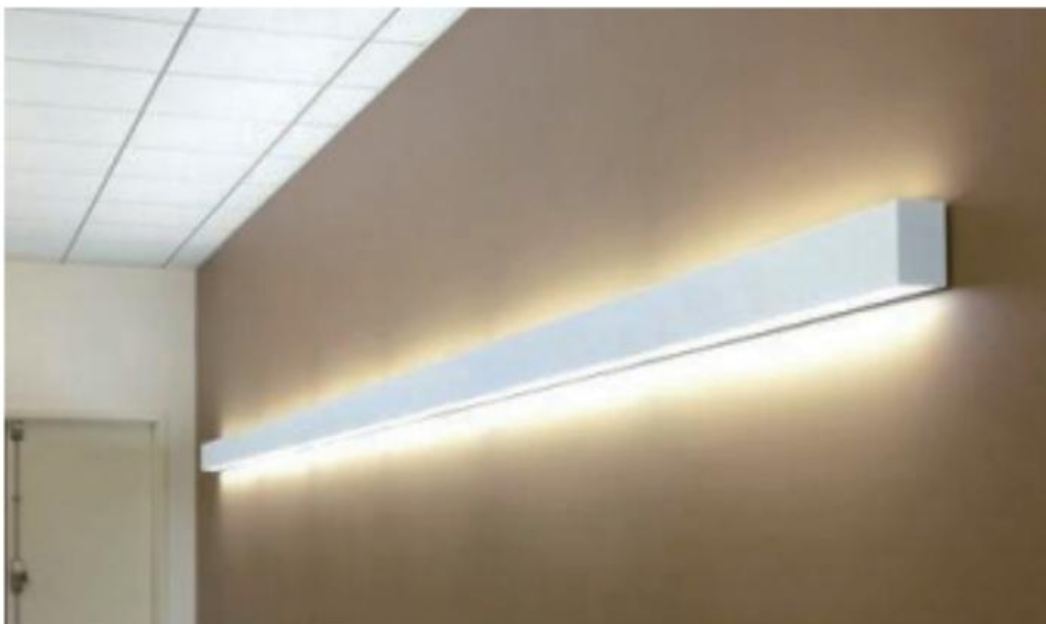
Model	Outer box (L*W*H)	Qty/Ctn (pcs)	N.W/pcs (lbs/Kg)	G.W/Ctn (lbs/Kg)
HG-L242S-254F	30.3"x14.17"x4.9" 770*360*125 mm	6	3.16/1.5	22.3/10
HG-L242S-504F	53.9"x14.17"x4.9" 1370*360*125 mm	6	6.16/2.8	39.6/18
HG-L242S-756F	69.69"x14.17"x4.9" 1770*360*125 mm	6	9.24/4.2	59.4/27
HG-L242S-1008F	101.57"x9.65"x4.9" 2580*245*125 mm	4	11.66/5.3	50/22.7

Note

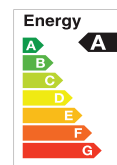
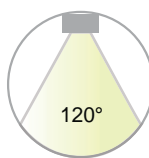
- 1.The installation and maintenance must be completed by electricians or professionals.
- 2.Please cut off the power before installation and maintenance.
- 3.The thermally insulating material is not allowed to cover the fixture.
- 4.Please keep away from the corrosive substance, and keep the fixture dry and clean.
- 5.Working temperature: -4°F~113°F, storage temperature: -22°F~140°F.



LED UP AND DOWN Light



Wall Mounted



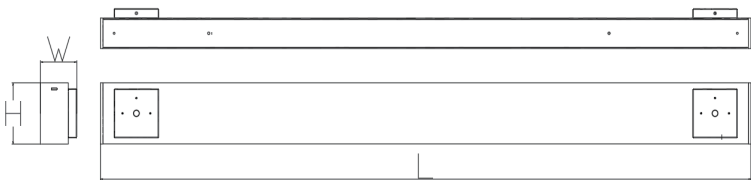
RoHS



Features & Benefits

1. 115lm/w for options.
2. Housing: extruded aluminum material .
3. 0-10v dimming, universal voltage: 100-277v.
4. Available with suspending installation.
5. Wide application for: school, hospital, super market, office and warehouse.
6. 4ft and 8ft dimensions for variety choices.
7. 5-year warranty.

Product Dimension



Model	LxWxH
HG-L242S-204F HG-L242S-404F	1165x65x100(mm) 45.87"x2.56"x3.94"
HG-L242S-808F	2438x65x100(mm) 95.98"x2.56"x3.94"

Specification

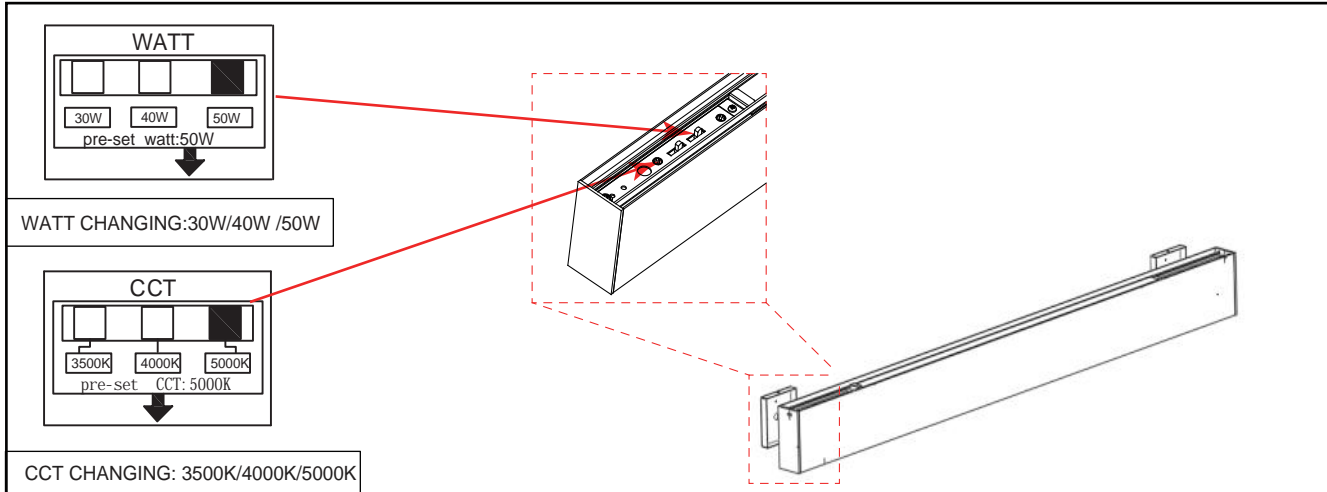
Model	Power	Input Voltage	Luminous Flux	Luminous Efficiency	CCT	Viewing Angle	Ra	PF	Warranty
HG-L242S-254F	20W	AC100-277V	2875lm	115lm/W	3000K 3500K 4000K 5000K	120°	>80	>0.9	5Years
HG-L242S-404F	40W		4600lm						
HG-L242S-808F	80W		9200lm						

The following multiple functions can be achieved according to customers' requests:

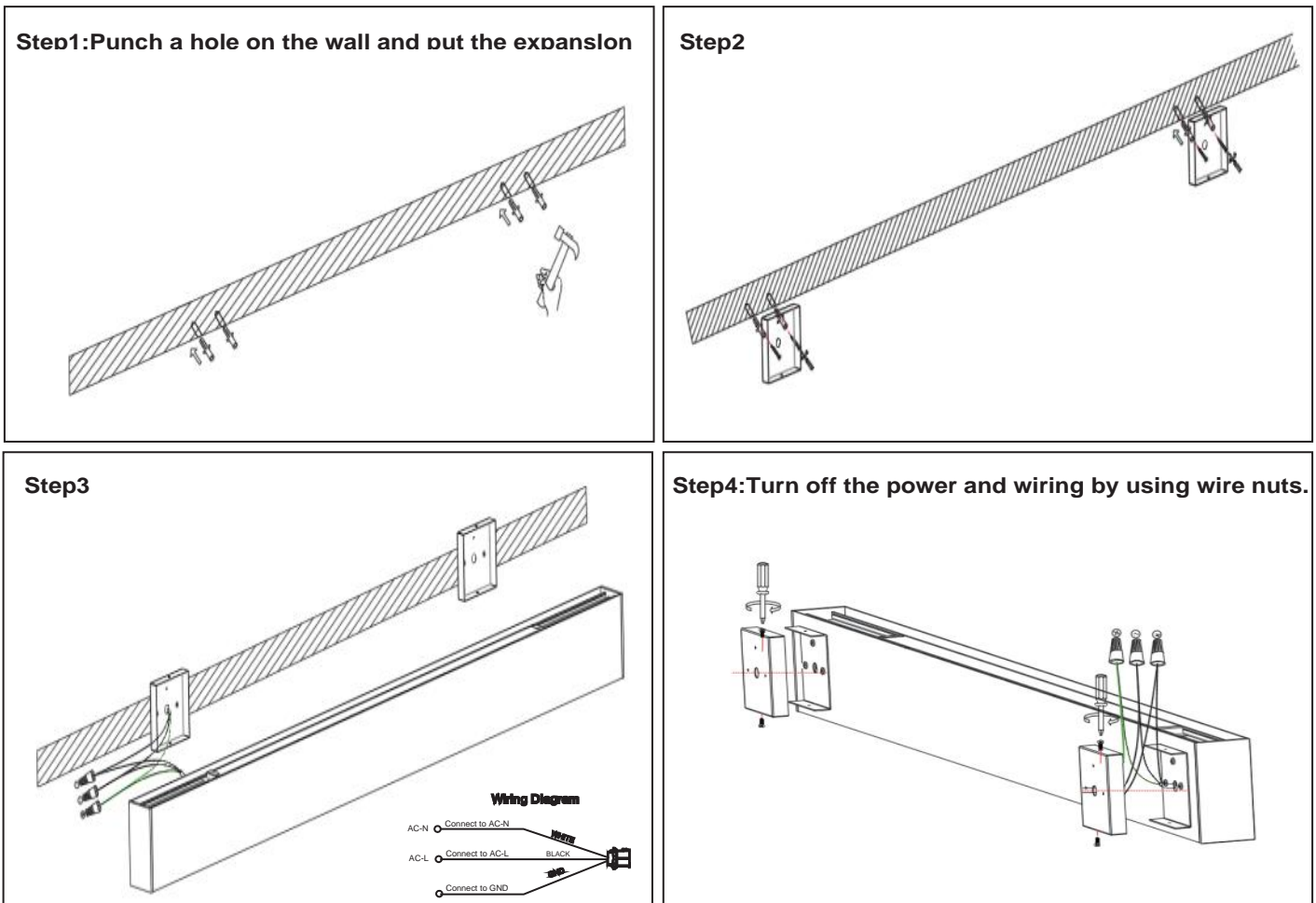
1. CCT options: 3000K, 3500K, 4000K, 5000K.
2. Available with external or built-in microwave motion sensor.
3. Emergency: the power is 8W, it can still work in 1.5hrs while emergency situation.



CCT CHANGING AND WATT CHANGING

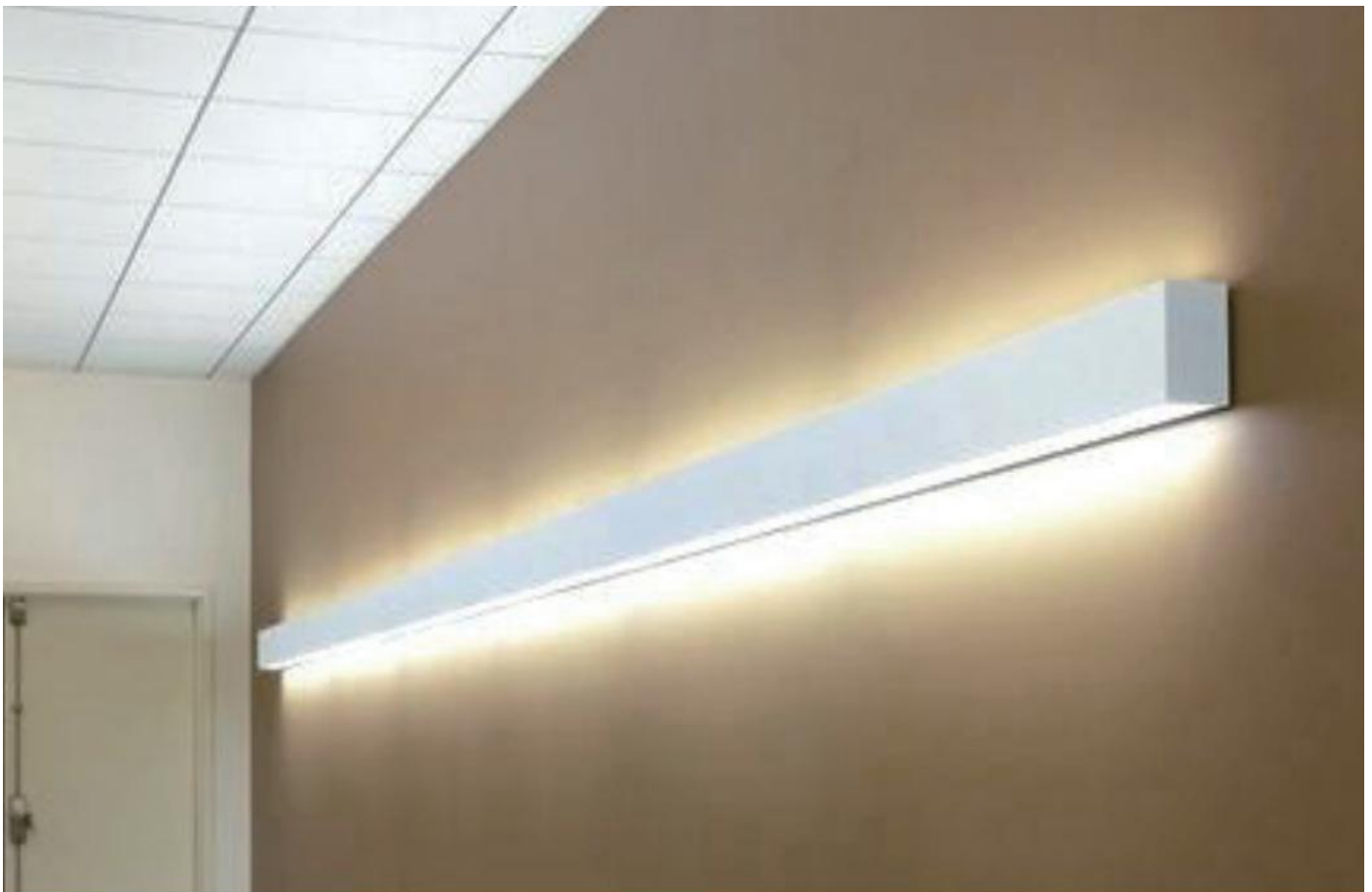
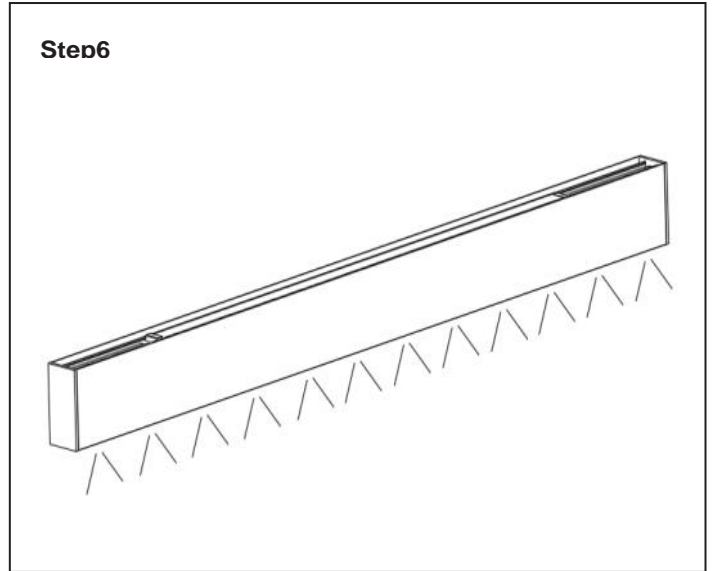
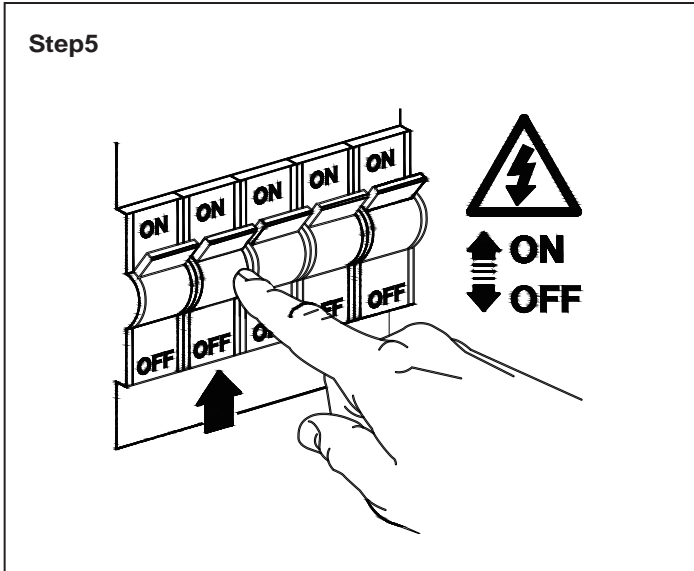


Installation manual Surface Mounted Installation





Installation manual





Important

Read this instruction carefully before installation. Keep it for further reference.
Make electrical and grounded connections in accordance with the national electrical code and any applicable code. Always turn off the power supply before installation.
This product must be installed in accordance with the applicable installation code by a qualified electrician who is familiar with the construction and operation of the product and the hazards involved.

WARNING:

- ⚠ Risk of fire or electric shock. Fixture installation requires knowledge of luminaires electrical systems. If not qualified, DO NOT attempt installation. Contact a qualified electrician.
- ⚠ Risk of fire or electric shock. Suitable for wet locations. Always turn off the power supply before installation.
- ⚠ Risk of fire or electric shock. Suitable for non-insulated surface and frame. DO NOT cover fixture with insulation liner or similar material.
- ⚠ DO NOT install fixture on unstable, loose or easily breakable surface.
- ⚠ DO NOT exert force on the surface of the fixture.

Packing /weight

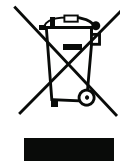
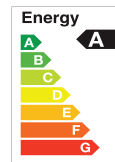
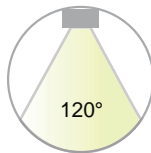
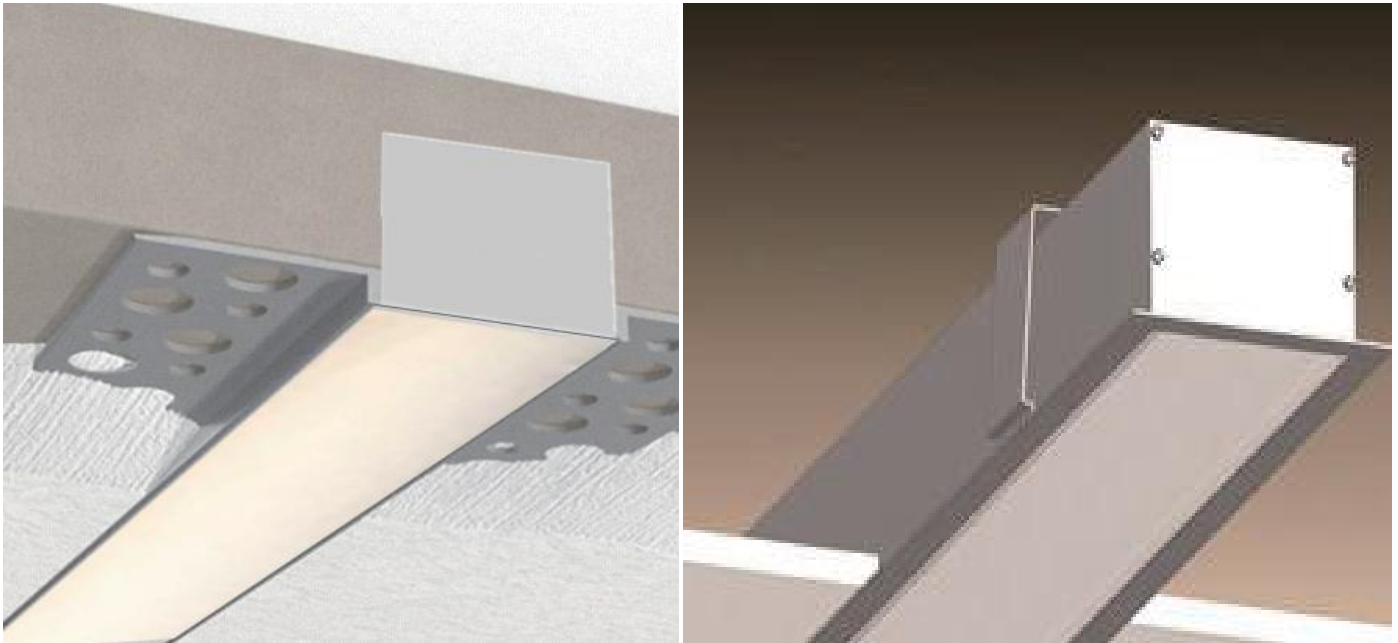
Model	Outer box (L*W*H)	Qty/Ctn (pcs)	N.W/pcs (lbs/Kg)	G.W/Ctn (lbs/Kg)
HG-L242S-204F HG-L242S-404F	45.87"x2.56"x3.94" 1165x65x100 mm	6	6.16/2.8	39.6/18
HG-L242S-808F	95.98"x2.56"x3.94" 2438x65x100(mm)	4	11.66/5.3	50/22.7

Note

- 1.The installation and maintenance must be completed by electricians or professionals.
- 2.Please cut off the power before installation and maintenance.
- 3.The thermally insulating material is not allowed to cover the fixture.
- 4.Please keep away from the corrosive substance, and keep the fixture dry and clean.
- 5.Working temperature: -4°F~113°F, storage temperature: -22°F~140°F.



LED UP AND DOWN Light



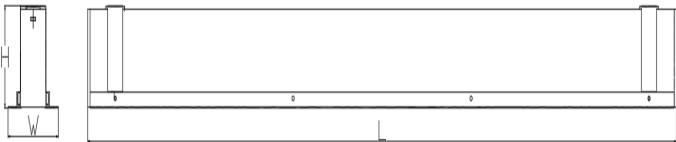
RoHS



Features & Benefits

1. 115lm/w for options.
2. Housing: extruded aluminum material .
3. 0-10v dimming, universal voltage: 100-277v.
4. Available with suspending installation.
5. Wide application for: school, hospital, super market, office and warehouse.
6. 4ft and 8ft dimensions for variety choices.
7. 5-year warranty.

Product Dimension



Model	LxWxH
HG-L242S-204F HG-L242S-404F	1165x99.75x100(mm) 45.87"x3.93"x3.94"
HG-L242S-808F	2438x99.75x100(mm) 95.98"x3.93"x3.94"

Specification

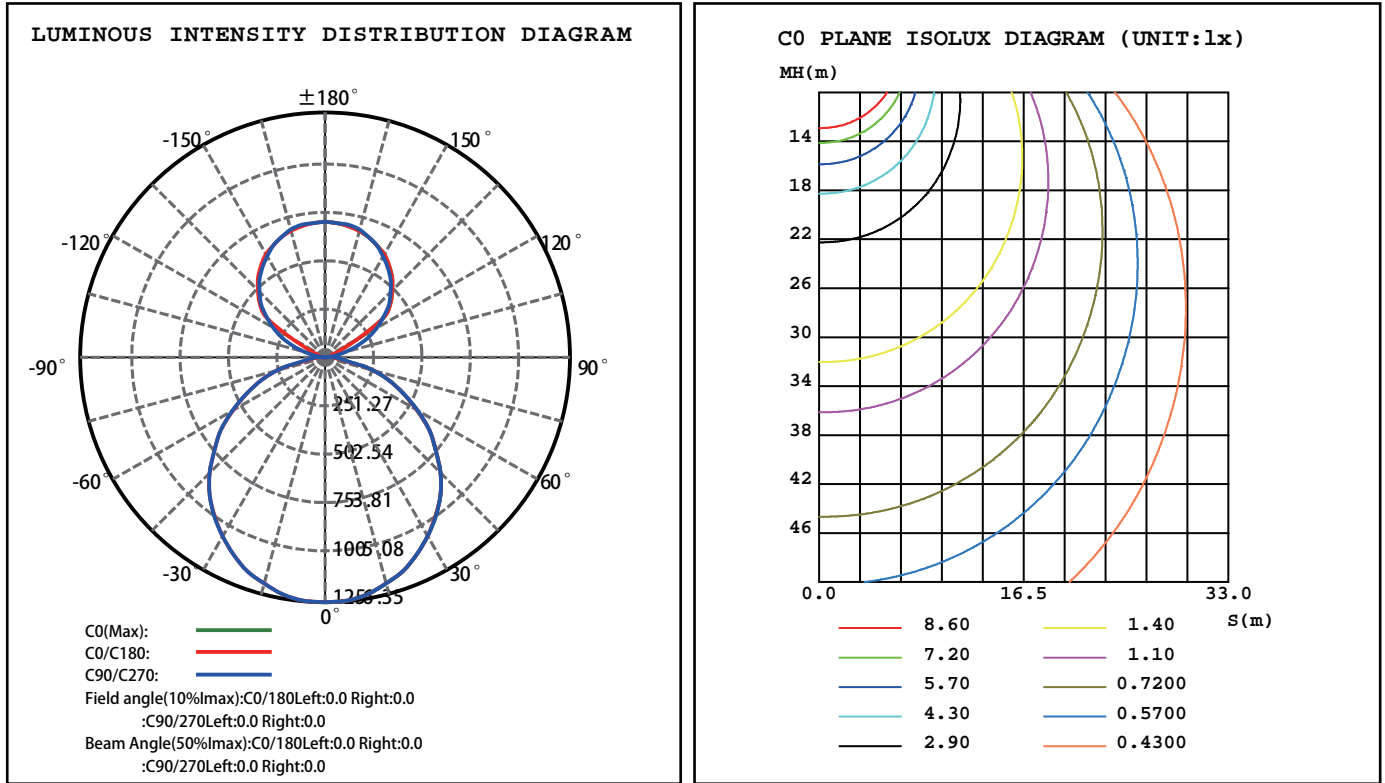
Model	Power	Input Voltage	Luminous Flux	Luminous Efficiency	CCT	Viewing Angle	Ra	PF	Warranty
HG-L242S-254F	20W	AC100-277V	2875lm	115lm/W	3000K 3500K 4000K 5000K	120°	>80	>0.9	5Years
HG-L242S-404F	40W		4600lm						
HG-L242S-808F	80W		9200lm						

The following multiple functions can be achieved according to customers' requests:

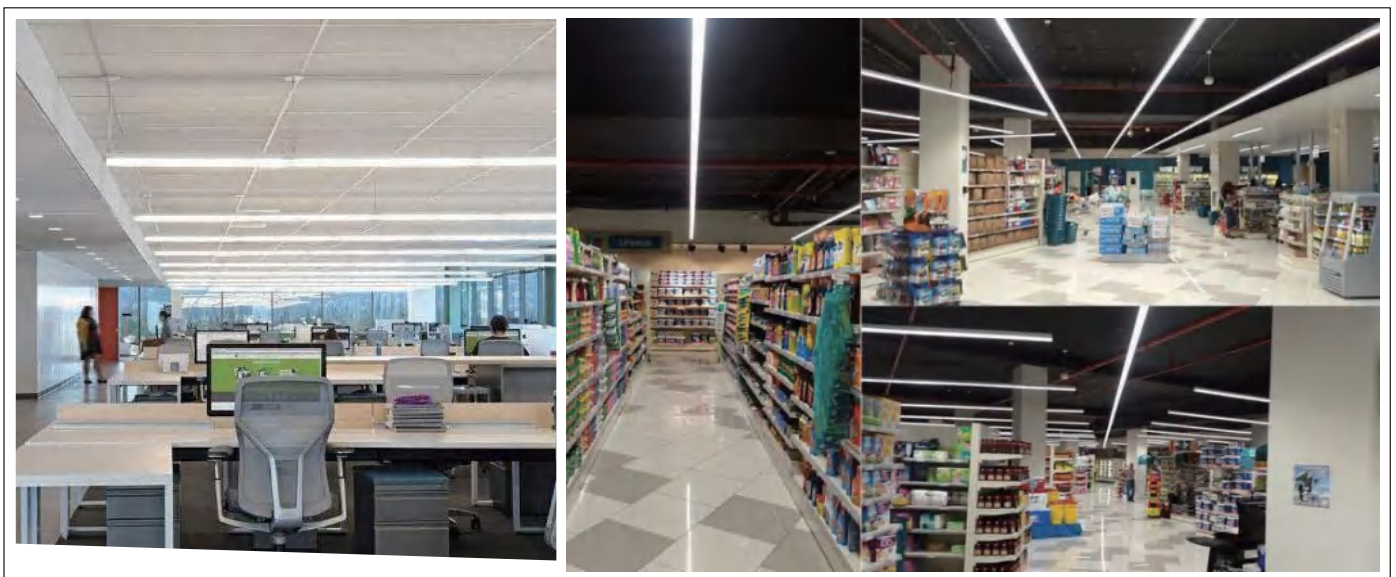
1. CCT options: 3000K, 3500K, 4000K, 5000K.
2. Available with external or built-in microwave motion sensor.
3. Emergency: the power is 8W, it can still work in 1.5hrs while emergency situation.



Testing Report

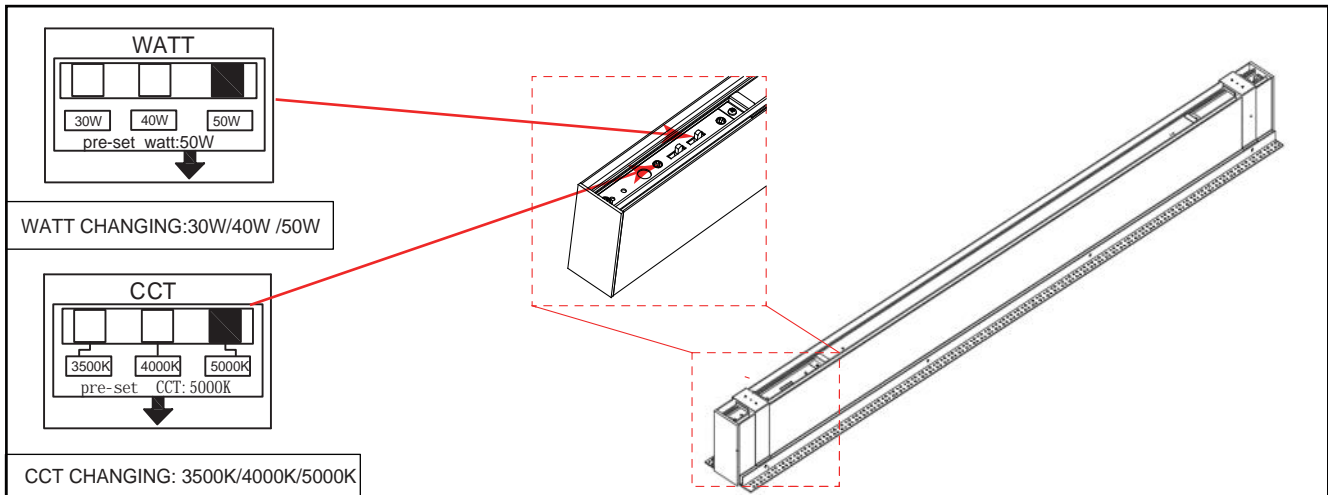


Applications

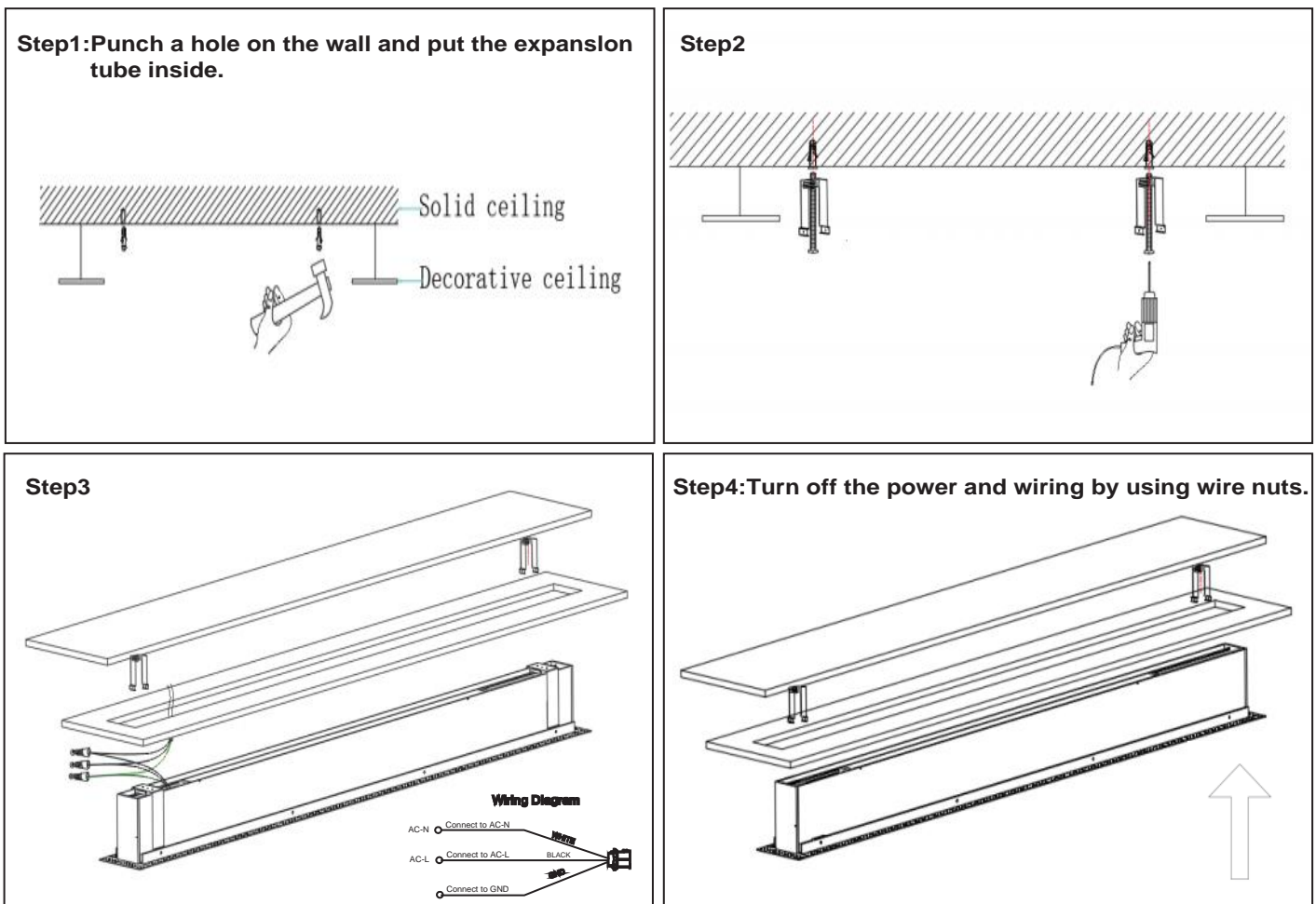




CCT CHANGING AND WATT CHANGING

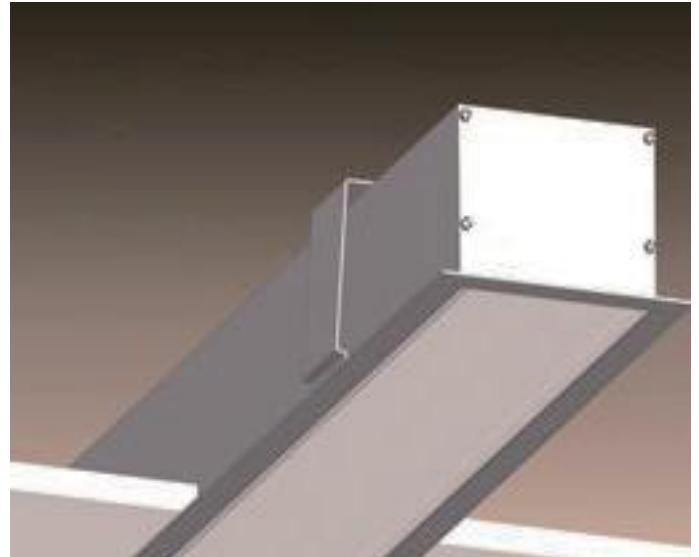
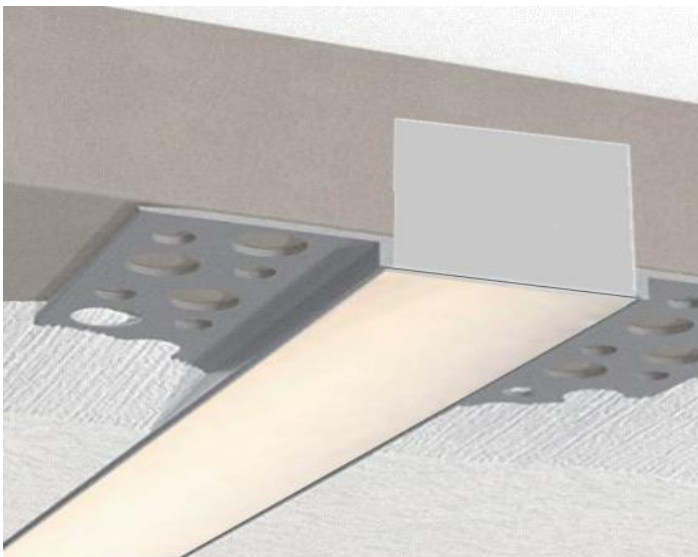
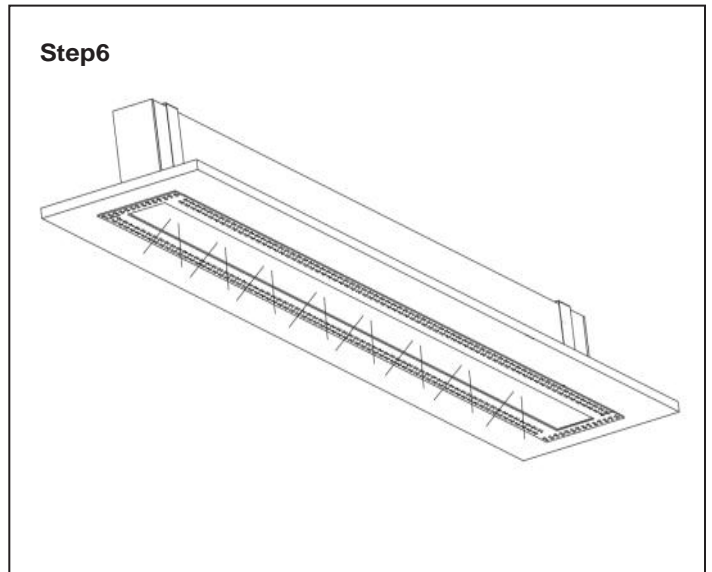
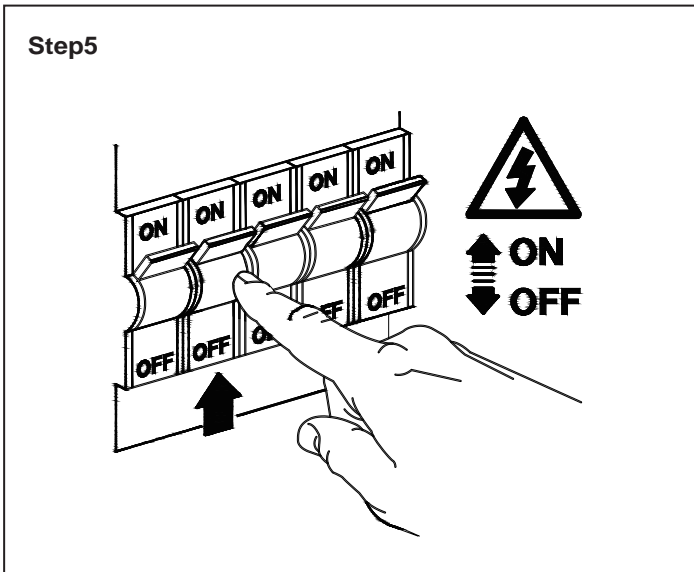


Installation manual Surface Mounted Installation





Installation manual





Important

Read this instruction carefully before installation. Keep it for further reference.
Make electrical and grounded connections in accordance with the national electrical code and any applicable code. Always turn off the power supply before installation.
This product must be installed in accordance with the applicable installation code by a qualified electrician who is familiar with the construction and operation of the product and the hazards involved.

WARNING:

- ⚠ Risk of fire or electric shock. Fixture installation requires knowledge of luminaires electrical systems. If not qualified, DO NOT attempt installation. Contact a qualified electrician.
- ⚠ Risk of fire or electric shock. Suitable for wet locations. Always turn off the power supply before installation.
- ⚠ Risk of fire or electric shock. Suitable for non-insulated surface and frame. DO NOT cover fixture with insulation liner or similar material.
- ⚠ DO NOT install fixture on unstable, loose or easily breakable surface.
- ⚠ DO NOT exert force on the surface of the fixture.

Packing /weight

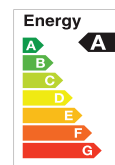
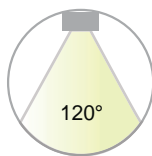
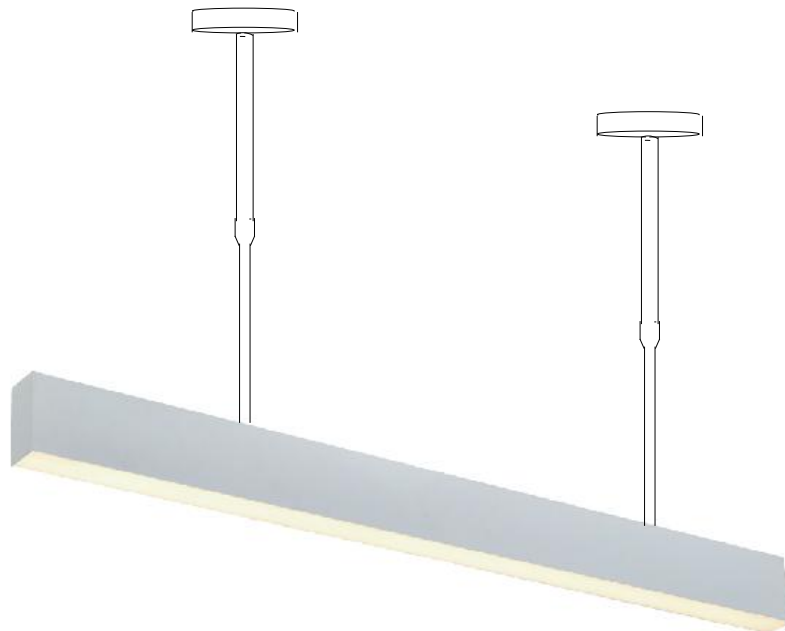
Model	Outer box (L*W*H)	Qty/Ctn (pcs)	N.W/pcs (lbs/Kg)	G.W/Ctn (lbs/Kg)
HG-L242S-204F HG-L242S-404F	45.87"x3.93"x3.94" 1165x99.75x100 mm	6	6.16/2.8	39.6/18
HG-L242S-808F	95.98"x3.93"x3.94" 2438x99.75x100mm	4	11.66/5.3	50/22.7

Note

- 1.The installation and maintenance must be completed by electricians or professionals.
- 2.Please cut off the power before installation and maintenance.
- 3.The thermally insulating material is not allowed to cover the fixture.
- 4.Please keep away from the corrosive substance, and keep the fixture dry and clean.
- 5.Working temperature: -4°F~113°F, storage temperature: -22°F~140°F.



LED UP AND DOWN Light



RoHS



Features & Benefits

1. 115lm/w for options.
2. Housing: extruded aluminum material .
3. 0-10v dimming, universal voltage: 100-277v.
4. Available with suspending installation.
5. Wide application for: school, hospital, super market, office and warehouse.
6. 4ft and 8ft dimensions for variety choices.
7. 5-year warranty.

Product Dimension



Model	LxWxH
HG-L242S-254F HG-L242S-404F	1165x50x100(mm) 45.87"x1.97"x3.94"
HG-L242S-606F	1829x50x100(mm) 72"x1.97"x3.94"
HG-L242S-808F	2438x50x100(mm) 95.98"x1.97"x3.94"

Specification

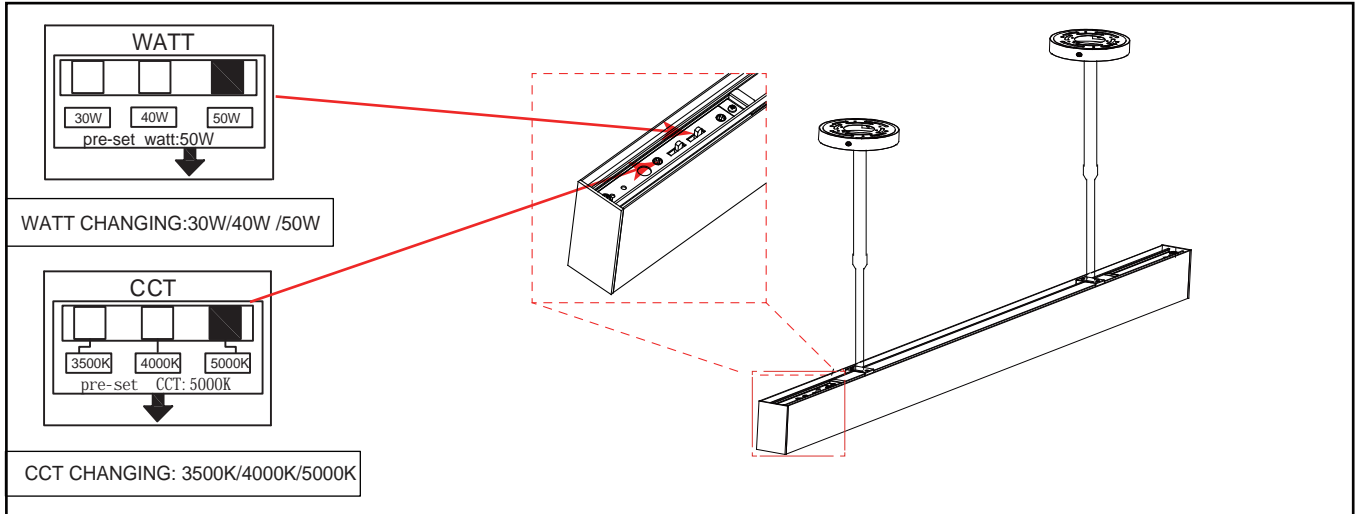
Model	Power	Input Voltage	Luminous Flux	Luminous Efficiency	CCT	Viewing Angle	Ra	PF	Warranty
HG-L242S-254F	25W	AC100-277V	2875lm	115lm/W	3000K 3500K 4000K 5000K	120°	>80	>0.9	5Years
HG-L242S-404F	40W		4600lm						
HG-L242S-606F	60W		6900lm						
HG-L242S-808F	80W		9200lm						

The following multiple functions can be achieved according to customers' requests:

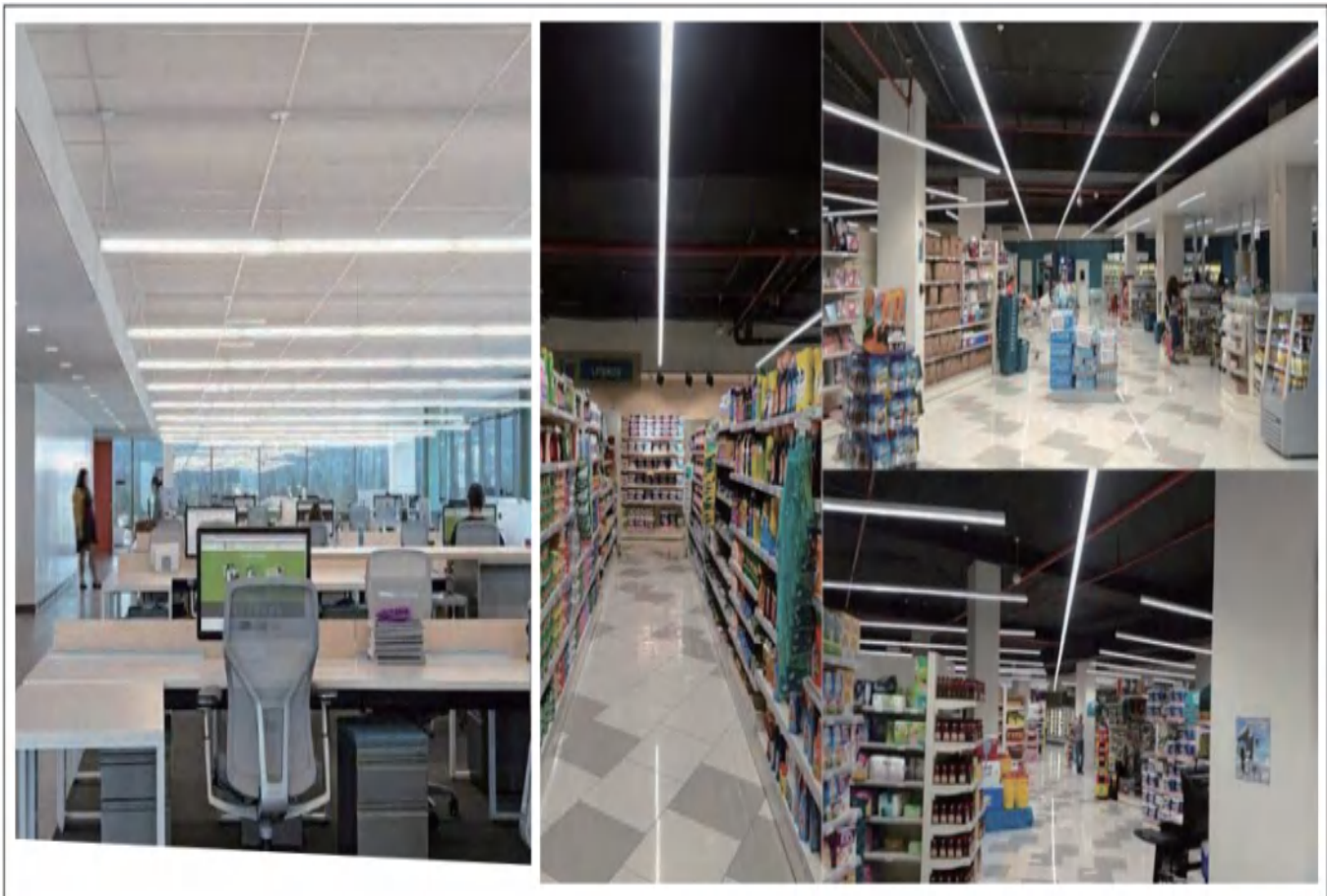
1. CCT options: 3000K,3500K, 4000K, 5000K.
2. Available with external or built-in microwave motion sensor.
3. Emergency: the power is 8W, it can still work in 1.5hrs while emergency situation.



CCT CHANGING AND WATT CHANGING

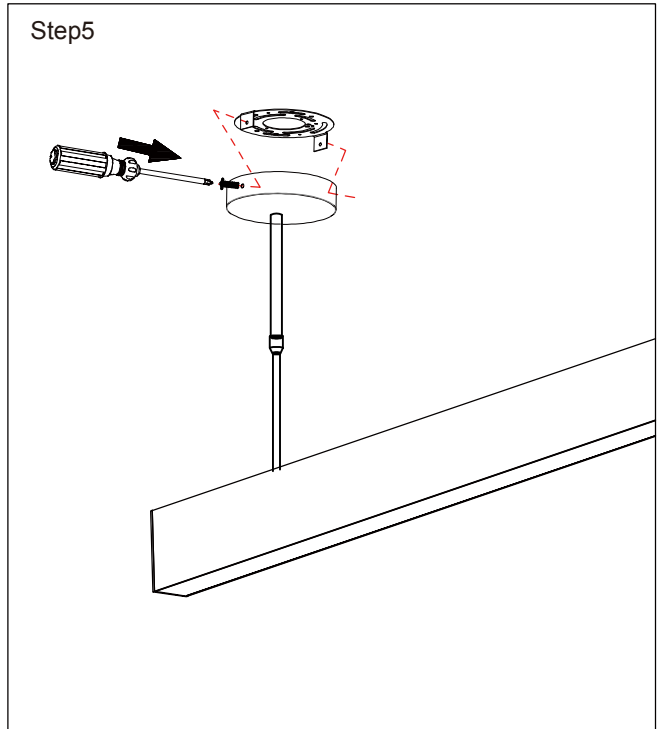
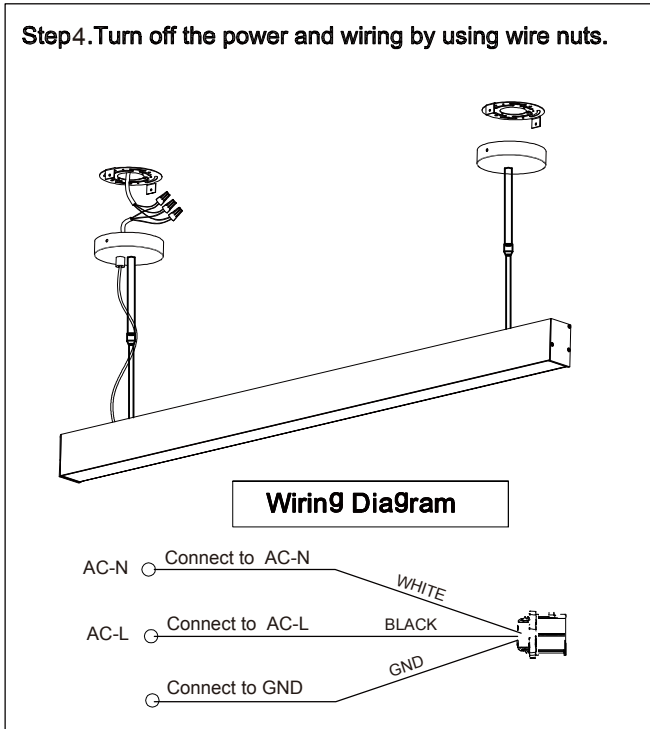
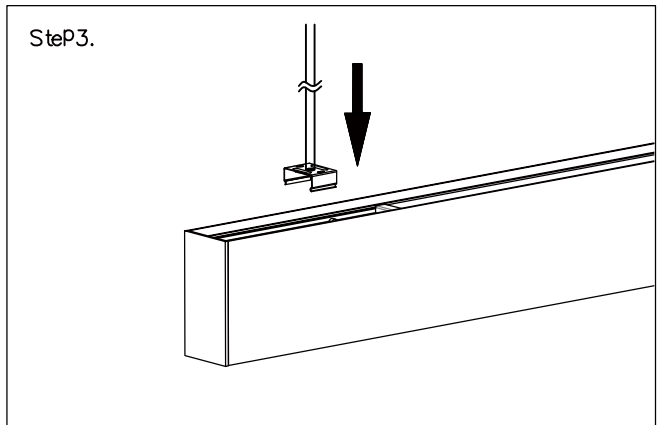
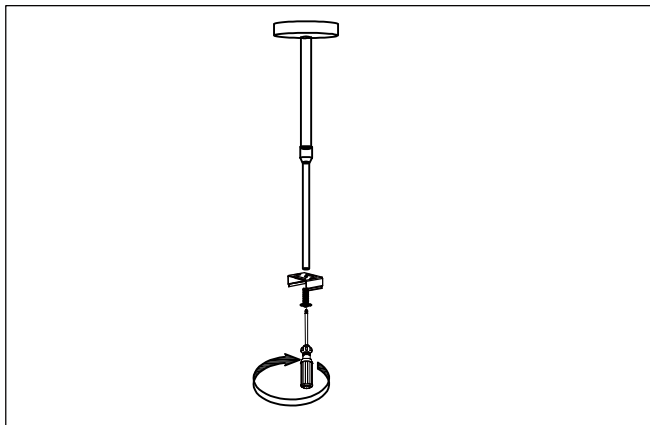
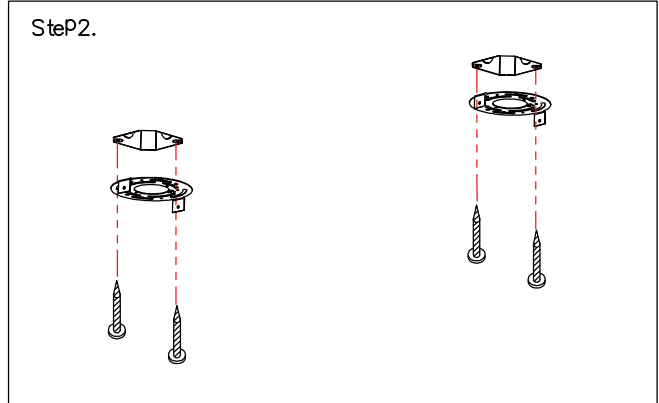
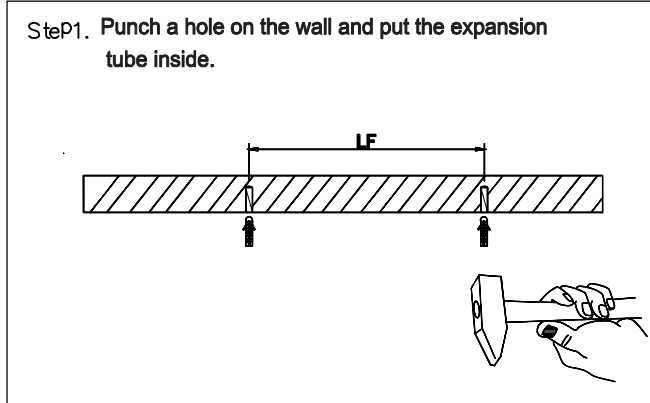


Applications





Installation manual A. Suspending installation





Installation manual

