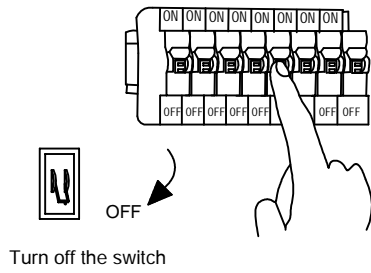


LED HIGH BAY

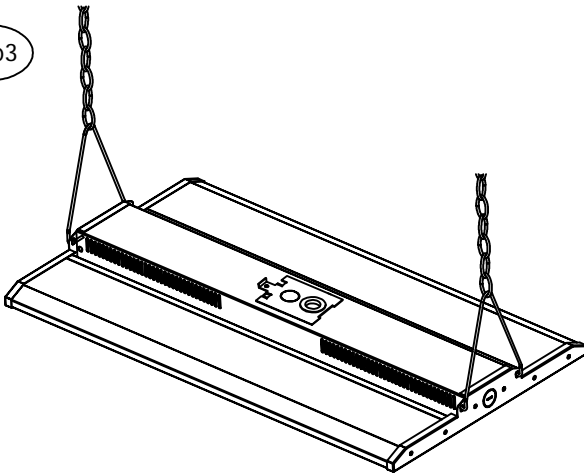
Step1



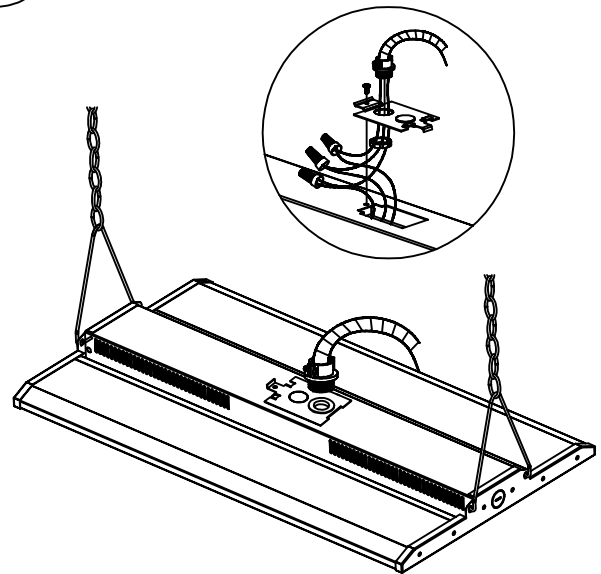
Step2



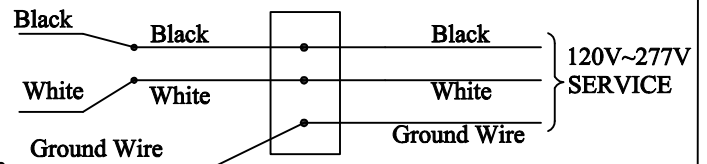
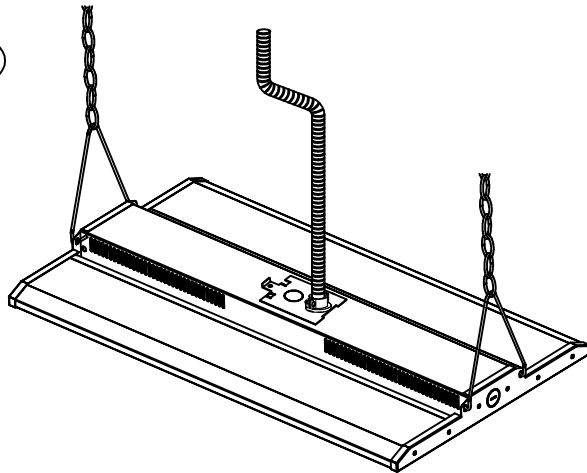
Step3



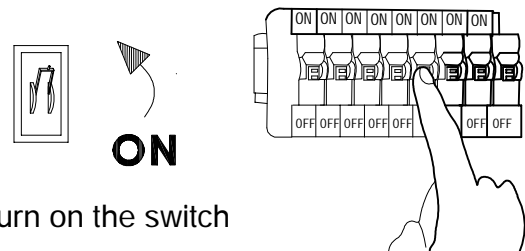
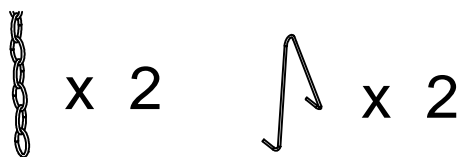
Step4



Step5



Accessory package



Caution: Please note that DO NOT use this product in the following places/application

1. The place has a large quantity of lampblack and smoke, such as: kitchen and Food processing factory etc.
2. The place has a large quantity of chemical corrosive substance, such as: chemical plant and stockyard etc.
3. The place has poor temperature conditions, large-scale temperature variation, which would easily lead to broken and damage the product, the applicable operating temperature is between -15 and 45 degrees.