



Zhongshan Halcon Lighting & Electrical Co., Ltd

Add: Building D, YinCheng Industrial Park, No 9, ShunXing North Road, HengLan Town, ZhongShan City, GD, China.

Tel: 0086-760-87556293 87556292 87556295

Fax: 0086-760-87556294

Website: <http://www.halconlighting.com>

E-mail: info@halconlighting.com

SPECIFICATION

LED STRIP

Retrofit Kit



ETL Control No: 5004943



LED Strips enclose Retrofit kits

The LED retrofit kits allows you to quickly upgrade many fluorescent strip or low wattage strip.

the fluorescent strip to LED strip.

Our LED retrofit kits is exactly the same width as the the existing fluorescent strip, and easily installed in a existing fluorescent strip in minutes replacing the existing lamp holder and ballast. The driver replace the ballast, simply push-in power cables, just like a traditional ballast. Using under half the power for the same light output.

Using under half the power for the same light output, our LED strip retrofit kit also provides an improvement in color qulaity, reliability and warranty support, ensuing you see beautiful light for years to come.

The LED retrofit kit is available for 2ft, 4ft and 8 ft with lumen efficacy package ranging from 110 LM/W to 135 LM/W in color temperature from 3000K to 500K.

We also supply a wide range of the wattage choosing from 24W to 85W.

The other accessory Emergency kits and Sensor is also provided if needed.

CONTROLS ■

Fixture can be equipped with an occupancy sensor.

Devices are factory-installed and require minimal labor to set up during fixture installation.

DIMMING ■

Drivers come standard with 1-10V dimming leads capable of variable dimming down to 10%.

FINISHES ■

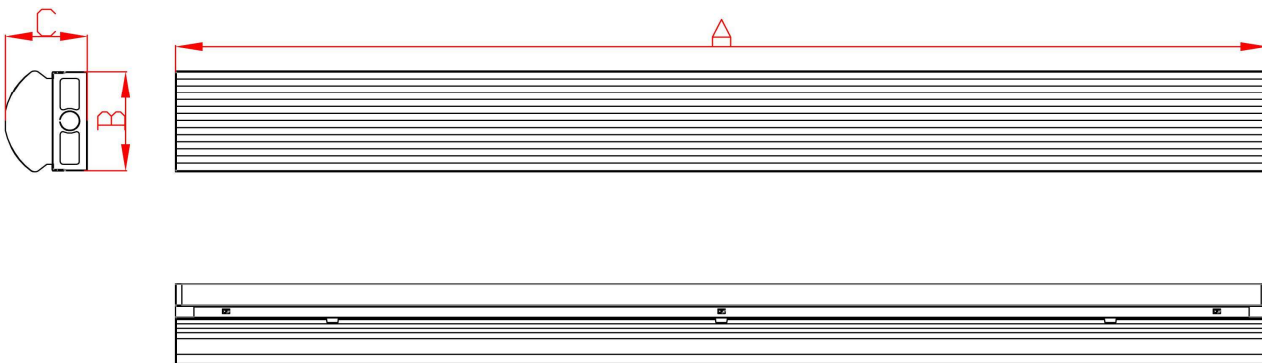
Standard fixture is painted after fabrication with high gloss backed white powder painted.



PRODUCT FEATURES ■

- * ETL & DLC listed; With LM79 & LM80;
- * 4FT: 23W,36W 8FT: 46W,63W, 85W
- * High luminous efficacy: 110-135 LM/W
- * 50,000 hours warranty 1-10V UL/CUL listed LED Driver, Flicking free.
- * PF>0.90
- * driver efficiency>87%;THD<20%;
- * Installation: Suspended,Flush mount.
- * Suitablefor dry/damp location;
- * Designed for office/ architectrual/ school/ display centres
- * Color Temperature: 4000K,4500K, 5000K
- * Lifetime: 5 years

PRODUCT DIMENSION ■



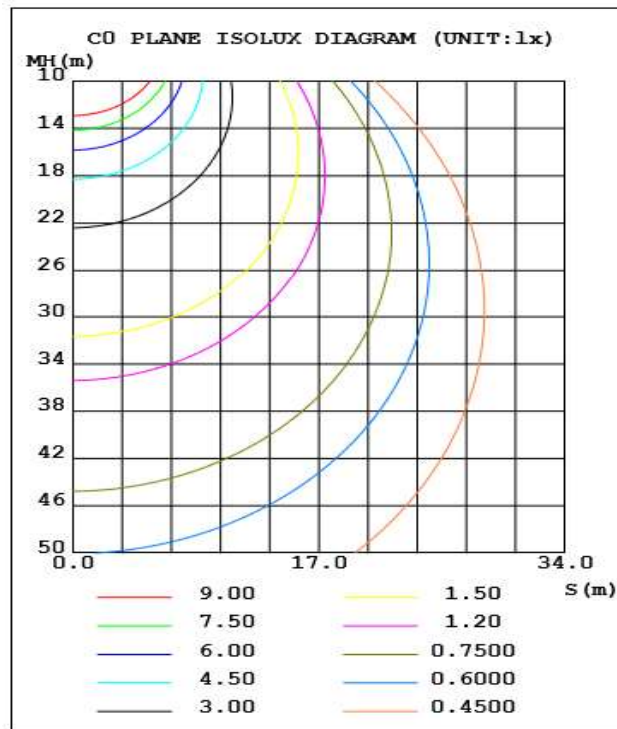
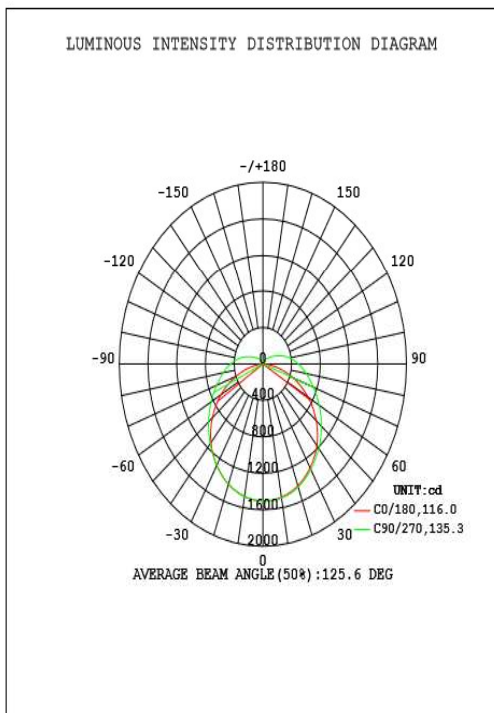
Model No	A	B	C
HG-L206R-24W	1206mm	115mm	65mm
	47.48 inch	4.53 inch	2.55 inch
HG-L206R-36W	1206mm	115mm	65mm
	47.48 inch	4.53 inch	2.55 inch
HG-L206R-46W	2438mm	115mm	65mm
	95.98 inch	4.53 inch	2.55 inch
HG-L206R-63W	2438mm	115mm	65mm
	95.98 inch	4.53 inch	2.55 inch
HG-L206R-85W	2438mm	115mm	65mm
	95.98 inch	4.53 inch	2.55 inch



TECHNICAL DATA ■

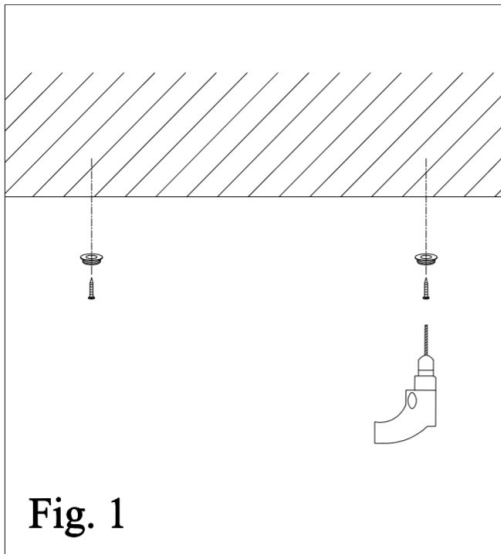
Total Input Watt	24W/4ft	40W/4ft	46W/8ft	63W/8ft	85W/8ft
Calculated L70	50,000 hrs				
Delivered Lumens	3120 lm	5200 lm	5980 lm	8190 lm	11050 lm
Luminaire Efficacy Rating	130 LM/W				
Correlated Color Temperature	4000K,4500K,5000K				
Color Rendering Index	>80				

LIGHT DISTRIBUTION ■



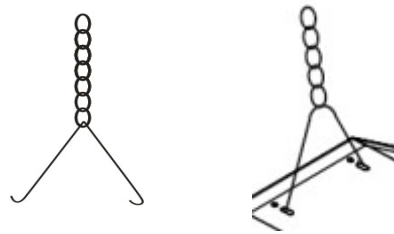
INSTALLATION FOR HANGING

1-Fix the cooper nut into the ceiling by screw

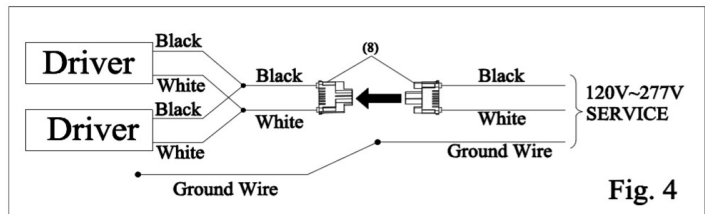
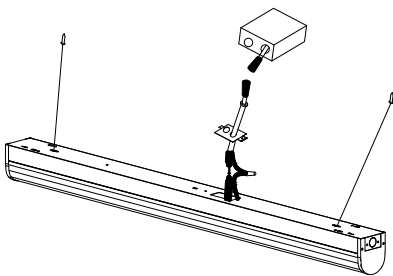


2-lock the stainless wire into the cooper nut.

Put the V-hook through fixture and link by chain



3-Turn off the power,make the wire connection to the quick connector

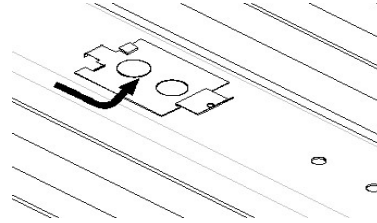


INSTALLATION FOR CEILING-MOUNTED ■

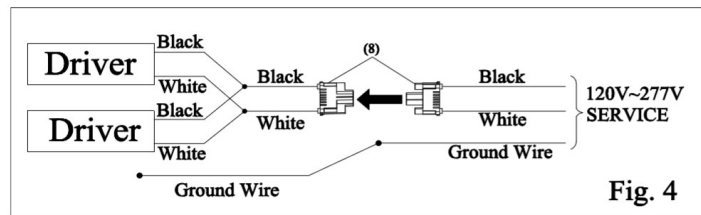
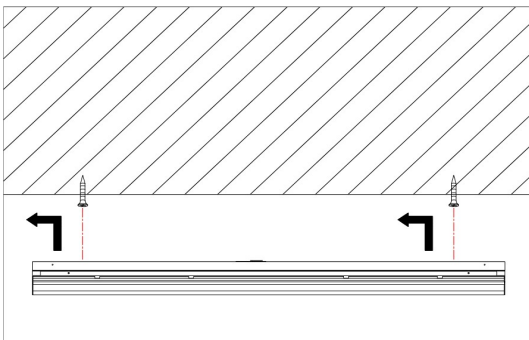
1-Fix the mounting holes into the ceiling by screw



2-Remove the wiring cover



3-Match the installation hole with ceiling screw, move left or right direction to make the fixture fixed.



WARNING ■

The installation and maintenance must be completed by electricians or professionals.

2.Please cut off the power before installation and maintenance.

3.The thermally insulating material is not allowed to cover the fixture.

4.Please keep away from the corrosive substance, and keep the fixture dry and clean.