



Zhongshan Halcon Lighting & Electrical Co., Ltd

Add: YinCheng Industrial Park, No 9, ShunXing North Road, HengLan Town, ZhongShan, GD,China.

Tel:0086-760-87556293 87556292 87556295

Fax: 0086-760-87556294

Website:<http://www.halconlighting.com>

E-mail: emily@halconlighting.com

SPECIFICATION

LED STRIP

LED BATTEN



ETL Control No:
5004943



130 LM/W



OFFICE/SCHOOL/ HOSPITAL/CORRIDOR

Die formed of 0.6mm cold-rolled steel body

All steel surface are painted after fabrication with high gloss backed white matte powder painted.

High reflectance backed white acrylic paint finished

High-diffusion light-milky PC diffuser

EMERGENCY BATTERY PACK ■

Optional factory-installed emergency battery pack in the back plate.

(nominal) for a minimum of 90 minutes.

CONTROLS ■

Fixture can be equipped with an occupancy sensor.

Devices are factory-installed and require minimal labor to set up during fixture installation.

DIMMING ■

Drivers come standard with 1-10V dimming leads capable of variable dimming down to 10%.

FINISHES ■

Standard fixture is powder-coated with white color.

GLARE CONTROL ■

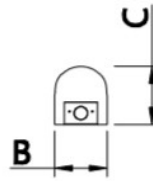
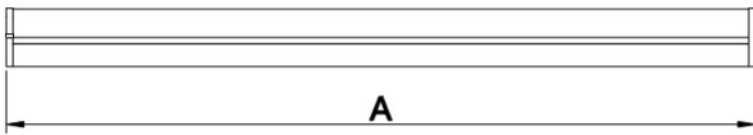
A semi-diffuse acrylic lens is available to cover the emitters and reflectors.Factory- or field-installed.



PRODUCT FEATURES

- * ETL & DLC listed; With LM79 & LM80;
- * 2ft: 18W. 4ft: 24W, 36W. 8ft: 42W, 68W
- * High luminous efficacy 130 lm/w;
- * 50,000 hours warranty 0-10V UL/CUL listed LED Driver, Flicking free.
- * PF>0.90
- * driver efficiency>87%;THD<20%;
- * Installation: chain mounting
- * Suitable for dry/damp location;
- * Designed for warehouses, gymnasiums, and industrial spaces;
- * CCT: 4000K & 5000K;
- * Lifetime: 5 years

PRODUCT DIMENSION



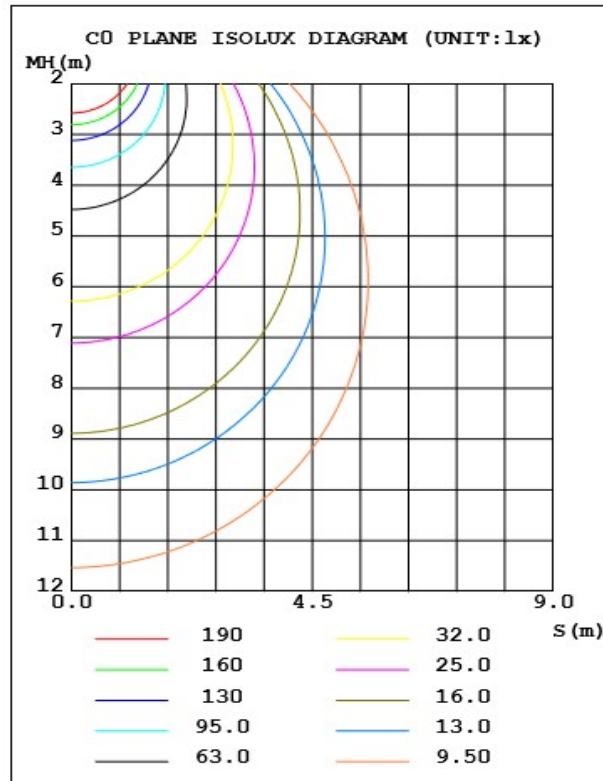
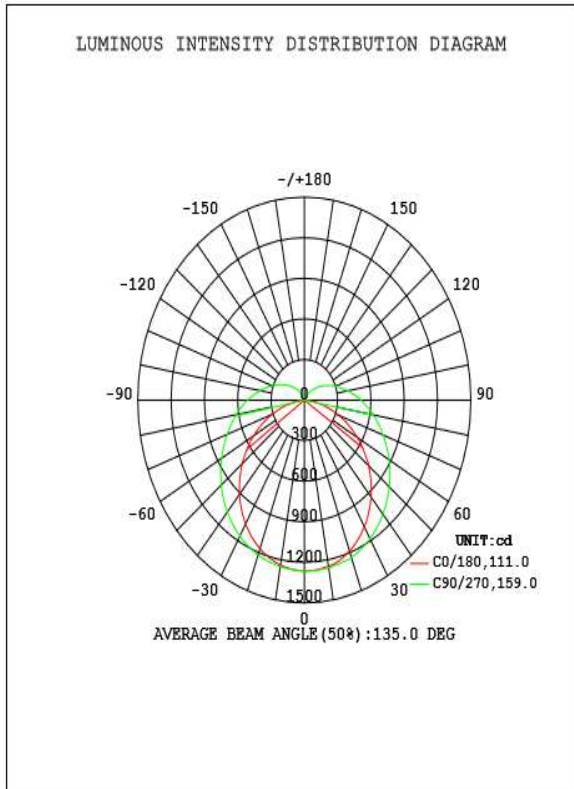
Model No	Wattage	A	B	C
HG-L205-XX	18W	571mm	82	93.5mm
		22.48 inch	3.23 inch	3.68 inch
HG-L205-XX	24W	1171mm	82	93.5mm
		46.10 inch	3.23 inch	3.68 inch
HG-L205-XXX	36W	1171mm	82	93.5mm
		46.10 inch	3.23 inch	3.68 inch
HG-L205-XE	42W	2438mm	82.2mm	93.5mm
		95.98 inch	3.23 inch	3.68 inch
HG-L205-XXE	68W	2438mm	82.2mm	93.5mm
		95.98 inch	3.23 inch	3.68 inch



TECHNICAL DATA

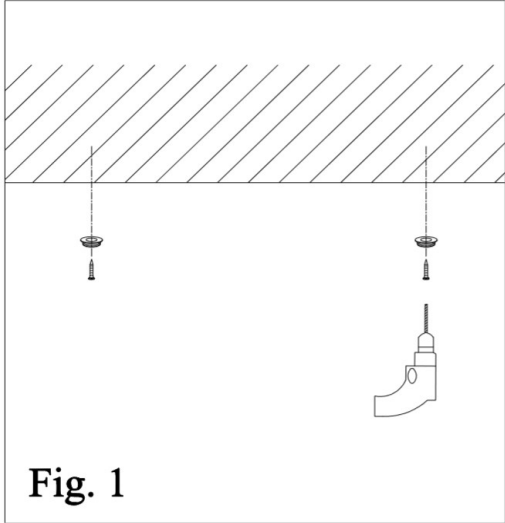
Total Input Watt	18W/2ft	24W/4ft	36W/4ft	42W/8ft	68W/8ft
SMD LED Chips Brand	Bridgelux				
Calculated L70	50,000 hrs				
Delivered Lumens	2340 lm	3120 lm	4680 lm	5460 lm	8840 lm
Luminaire Efficacy Rating	130 LM/W				
Correlated Color Temperature	4000K,5000K				
Color Rendering Index	>80				

LIGHT DISTRIBUTION



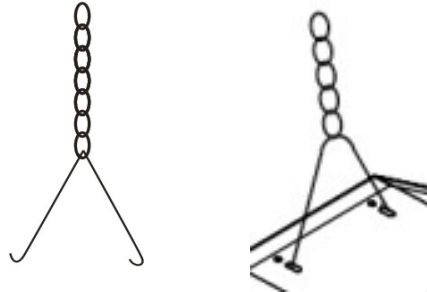
INSTALLATION FOR HANGING ■

1-Fix the cooper nut into the ceiling by screw

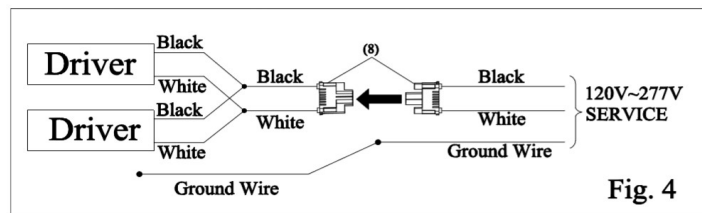
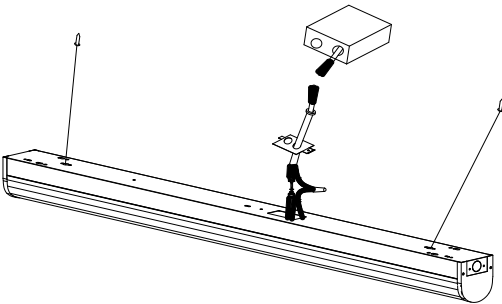


2-lock the stainless wire into the cooper nut.

Put the V-hook through fixture and link by chain



3-Turn off the power,make the wire connection to the quick connector

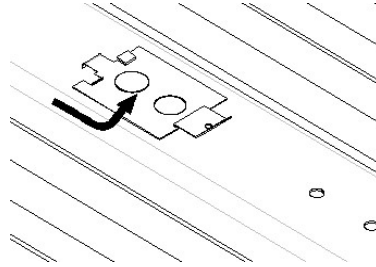


INSTALLATION FOR CEILING

1-Fix the mounting holes into the ceiling by screw



2-Remove the wiring cover



3-Match the installation hole with ceiling screw, move left or right direction to make the fixture fixed.

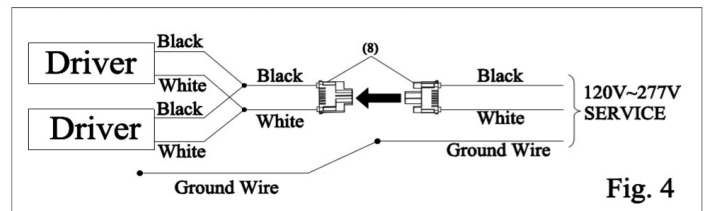
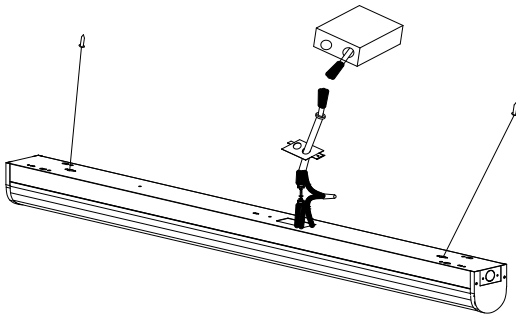


Fig. 4

WARNING

The installation and maintenance must be completed by electricians or professionals.

2. Please cut off the power before installation and maintenance.

3. The thermally insulating material is not allowed to cover the fixture.

4. Please keep away from the corrosive substance, and keep the fixture dry and clean.

5. Working temperature: $-4^{\circ}\text{F} \sim 104^{\circ}\text{F}$, storage temperature: $-22^{\circ}\text{F} \sim 140^{\circ}\text{F}$.



APPLICATIONS

Office Place



Conference Room



Corridor



Library



PACKAGE/WEIGHT

Model No	Master Carton Size (LxWxH)	Qty/Carton (pcs)	Net Weight (KG)	Gross Weight (KG)
HG-L205-X	24.4"X8.85"X8.0"	4	6.50	7.50
HG-L205-XX	48.8"X8.85"X8.0"	4	12.60	13.30
HG-L205-XXX	48.8"X8.85"X8.0"	4	12.60	13.30
HG-L205-XE	97.6"X8.85"X8.0"	4	24.60	26.30
HG-L205-XXE	97.6"X8.85"X8.0"	4	24.60	26.30