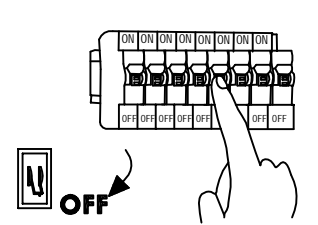


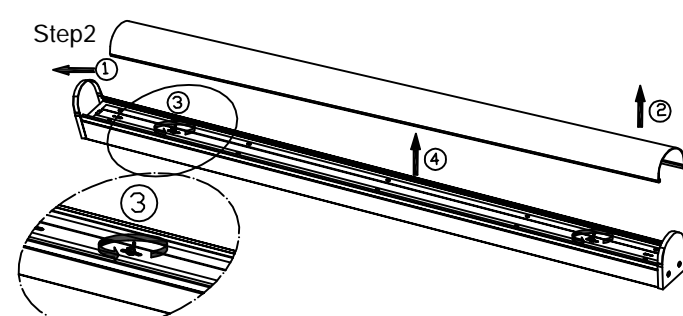
# LED Linear Fixture

**Step1**

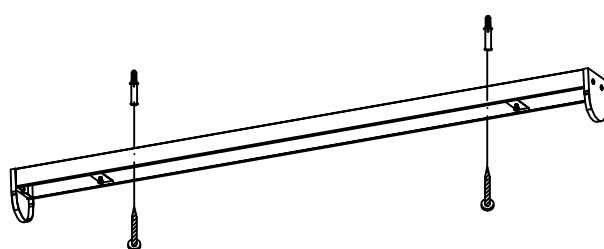


Turn off the switch

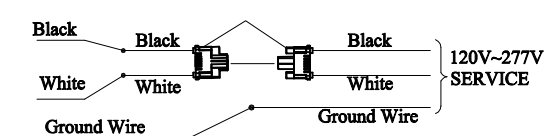
**Step2**



**Step3**



**Step4**

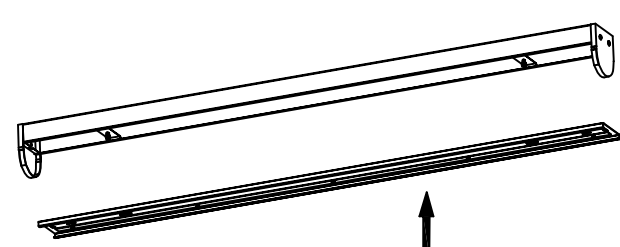


Black White Ground Wire

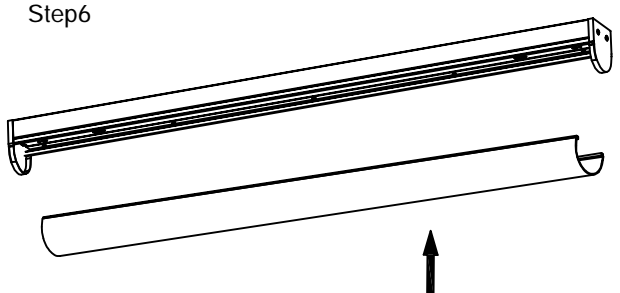
Black White Ground Wire

120V-277V SERVICE

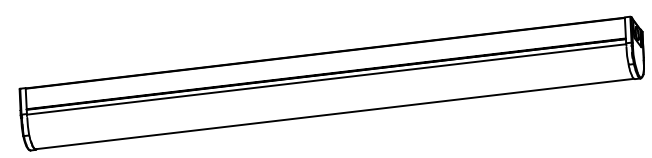
**Step5**



**Step6**

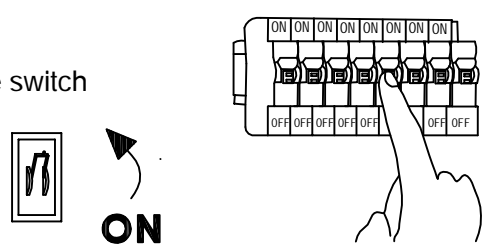


**Step7**




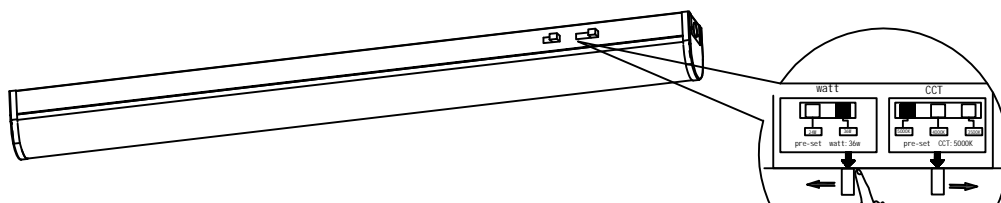
**Step8**

Turn on the switch



ON

**Accessory package**

Caution: Please note that DO NOT use this product in the following places/application

1. The place has a large quantity of lampblack and smoke, such as: kitchen and Food processing factory etc.
2. The place has a large quantity of chemical corrosive substance, such as: chemical plant and stockyard etc.
3. The place has poor temperature conditions, large-scale temperature variation, which would easily lead to broken and damage the product, the applicable operating temperature is between -15 and 45 degrees.