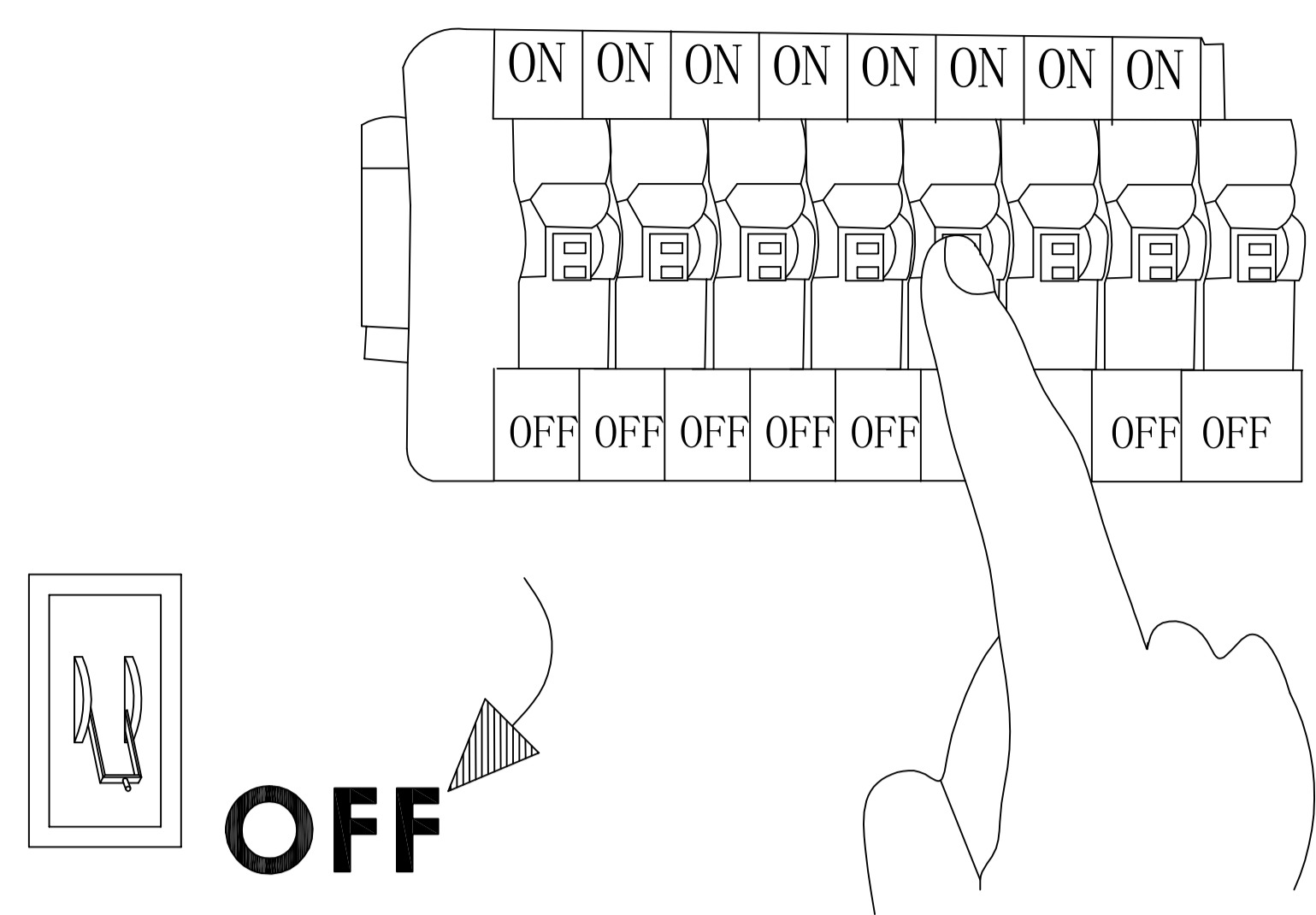


LED LINEAR LIGHT

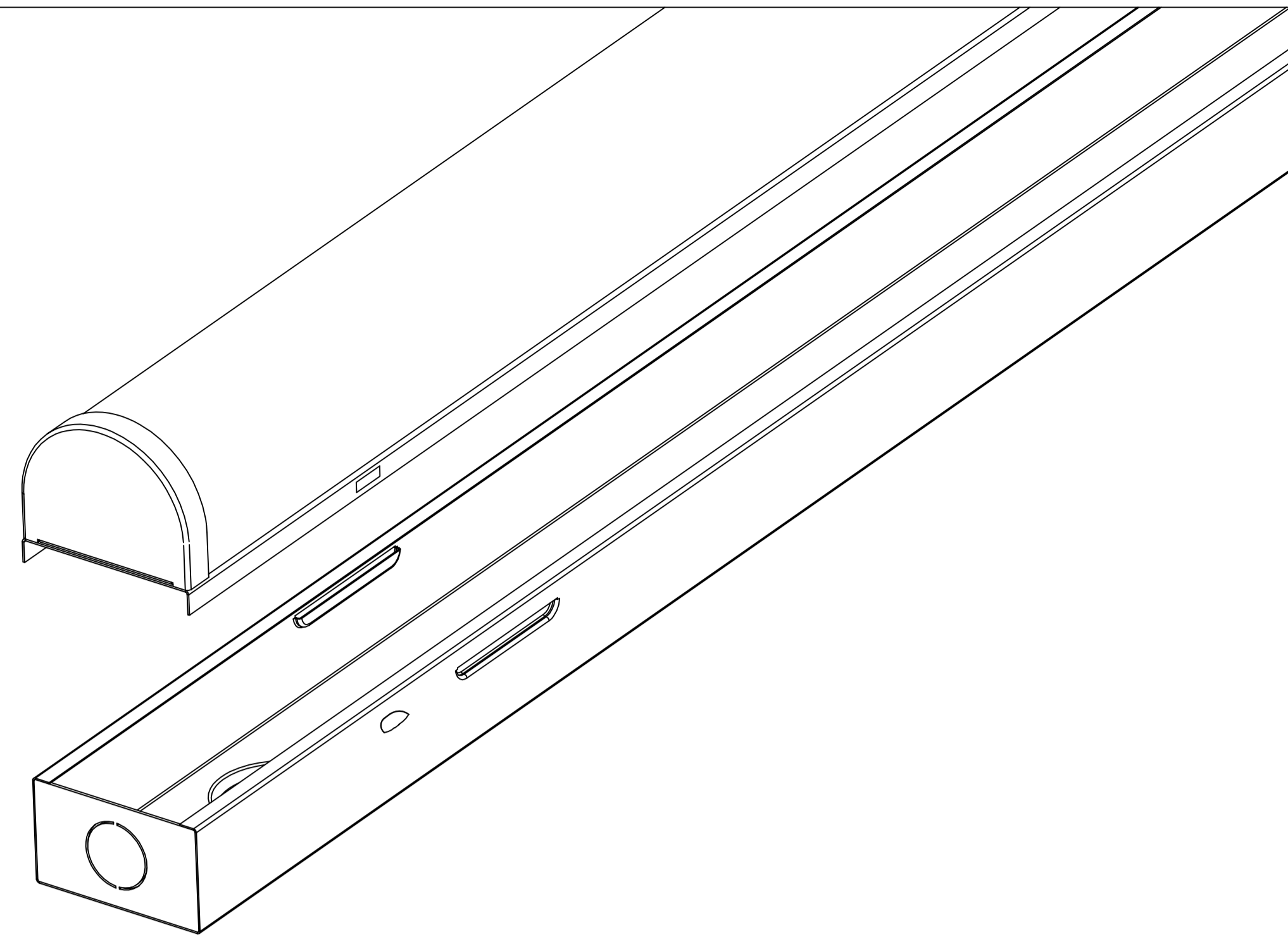
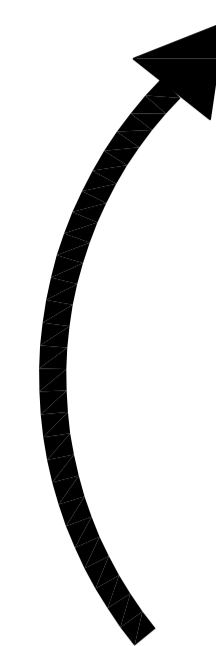
Step1



Turn off the switch

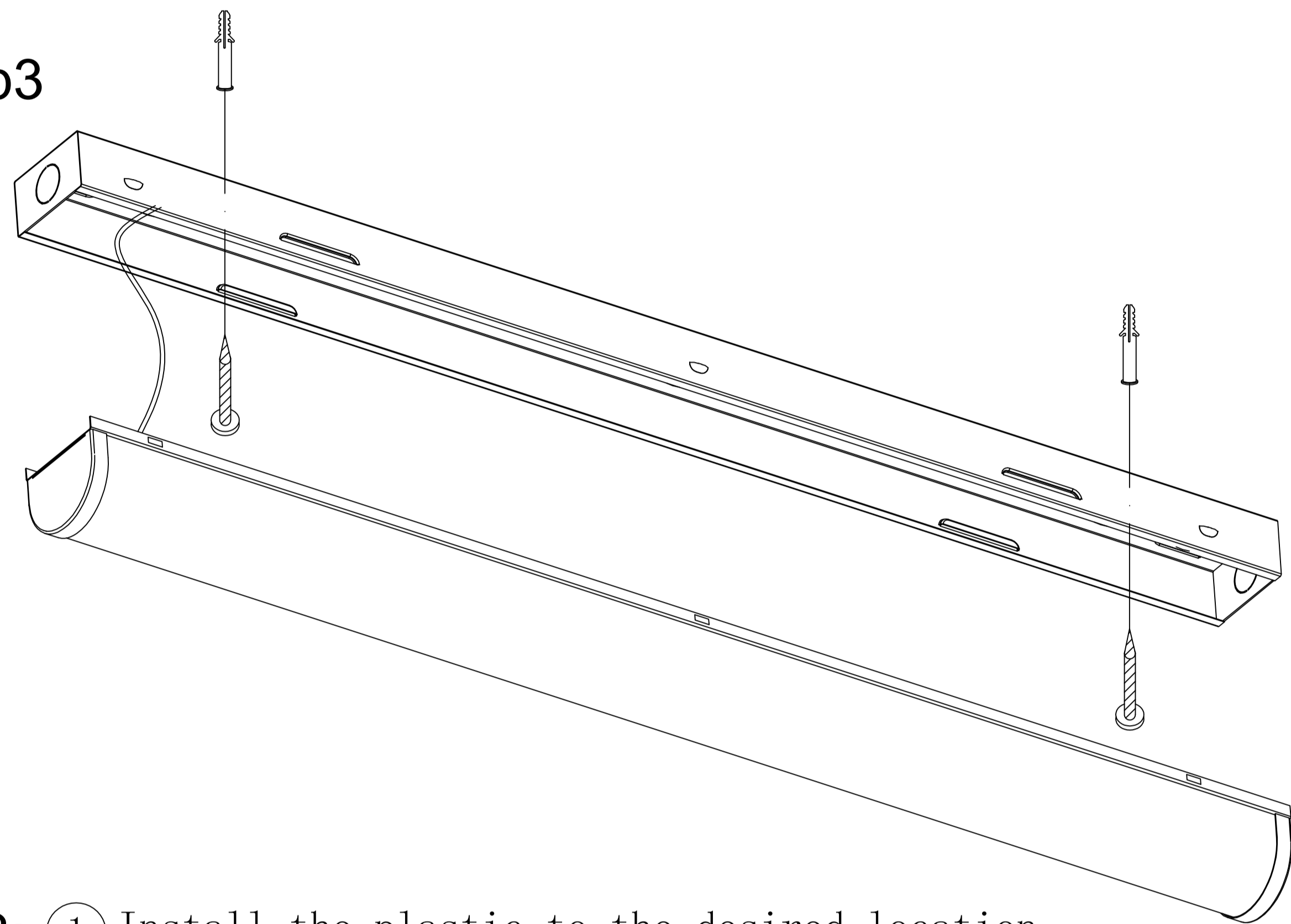
Step1: Turn off the switch

Step2



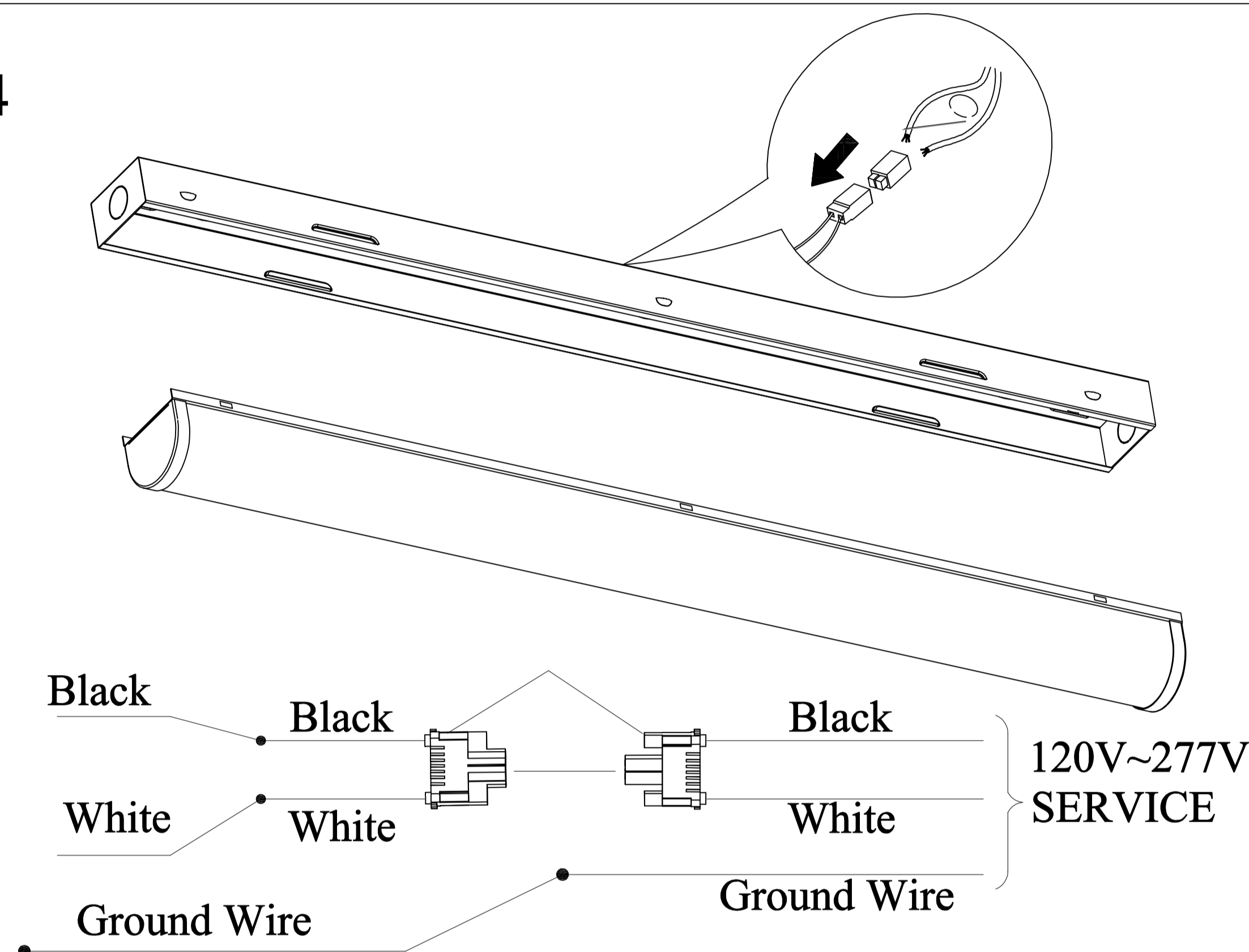
Step2: ① Press and hold the buckle position of the lamp body.
② Open the upper part of the lamp body from bottom to top.

Step3



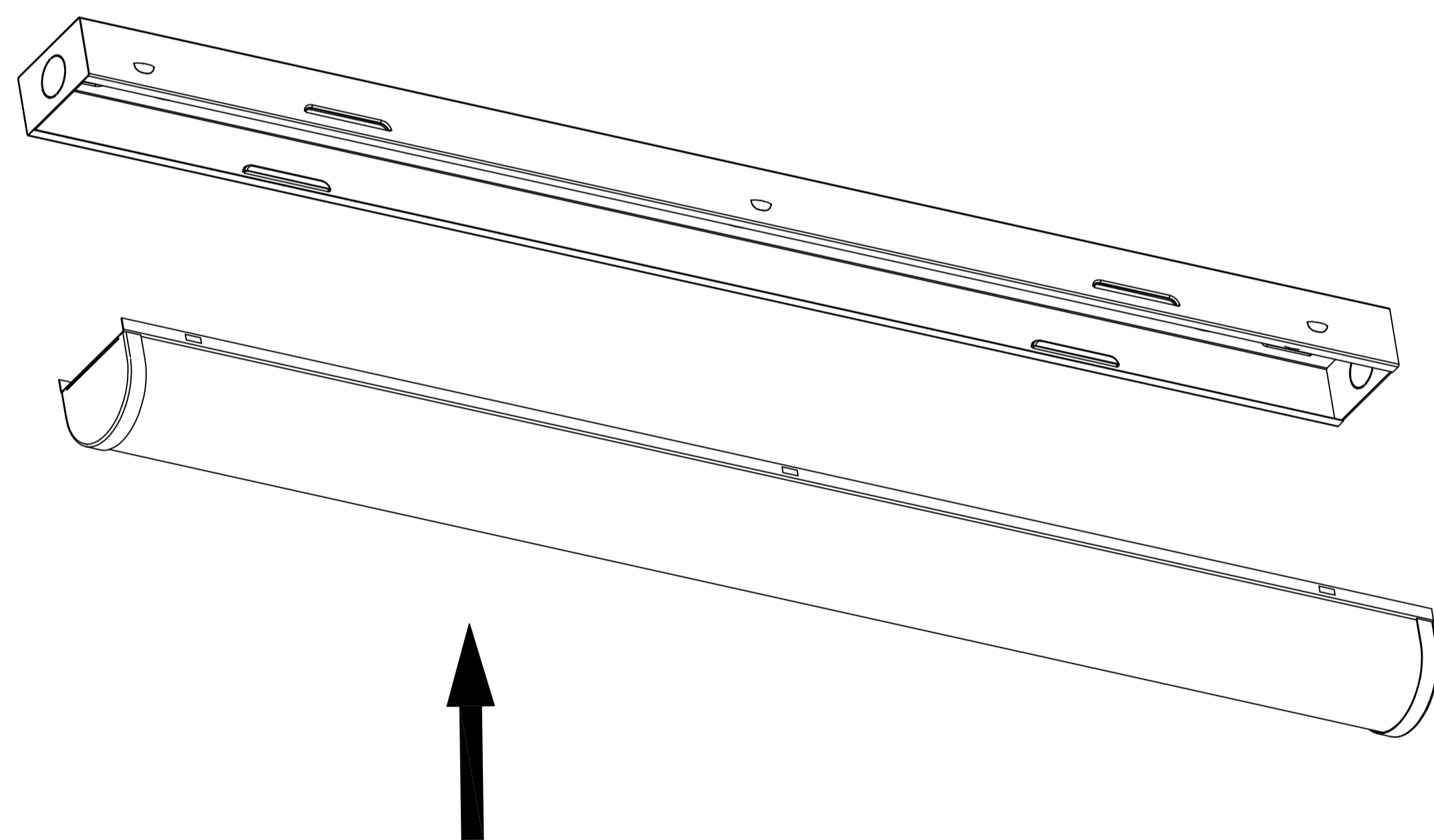
Step3: ① Install the plastic to the desired location.
② Fix the lamp body with 4*40 self-tapping screws.

Step4



Step4: Wiring method as shown in the figure.

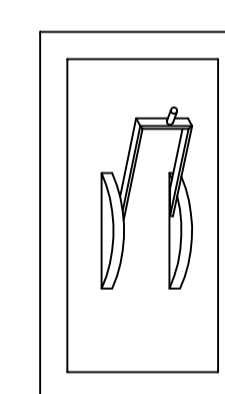
Step5



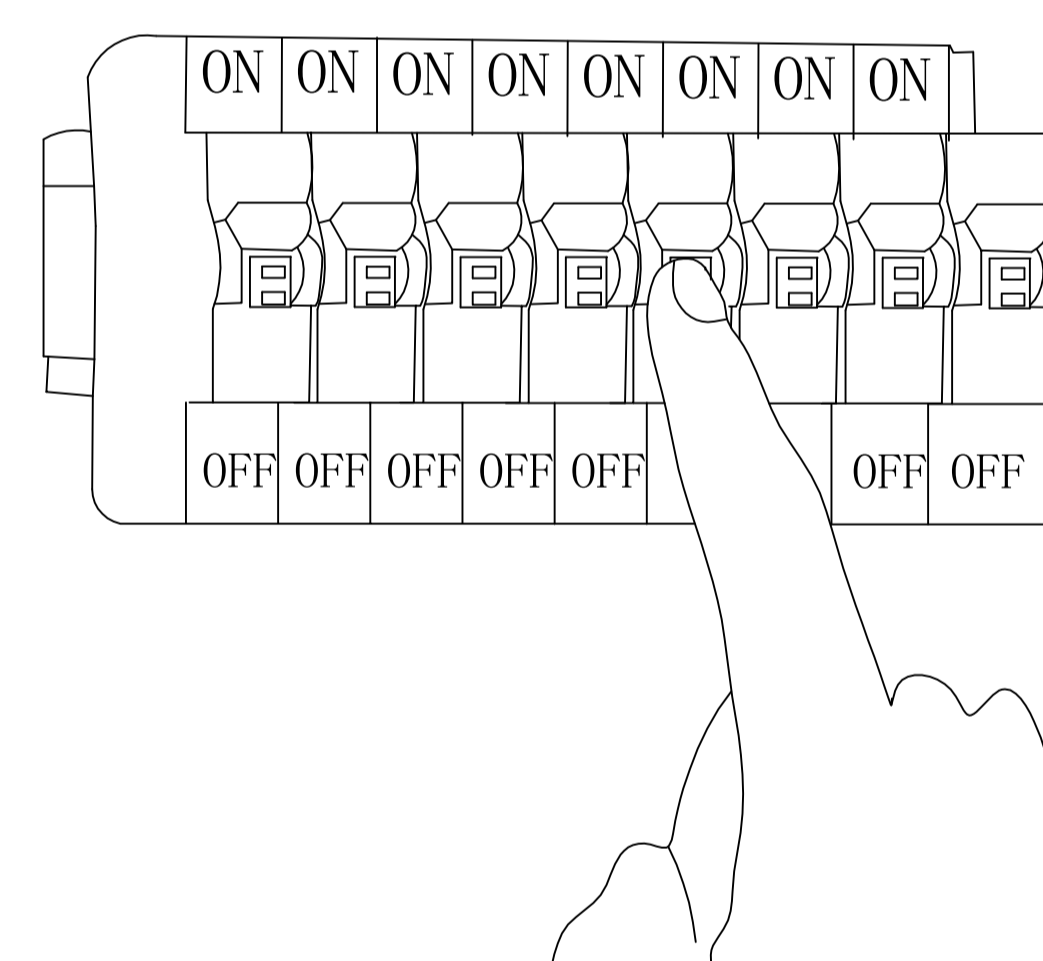
Step5: Push the upper part of the lamp body from bottom to top to lock the buckle.

Step6

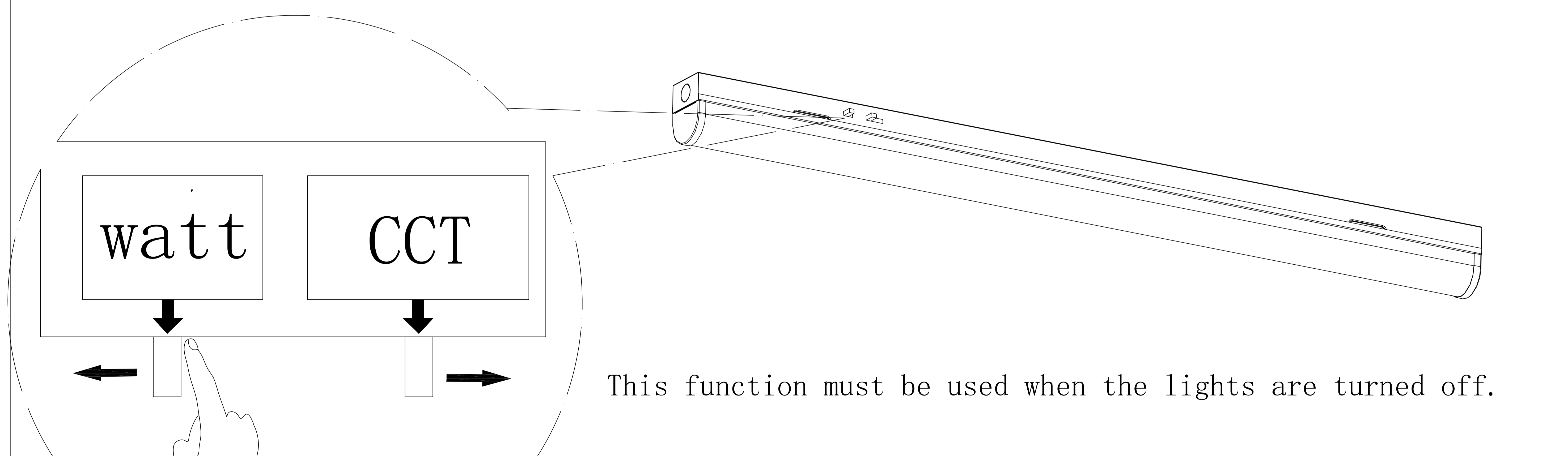
Turn on the switch



ON



Step6: Turn on the switch



Caution: Please note that DO NOT use this product in the following places/application

1. The place has a large quantity of lampblack and smoke, such as: kitchen and Food processing factory etc.
2. The place has a large quantity of chemical corrosive substance, such as: chemical plant and stockyard etc.
3. The place has poor temperature conditions, large-scale temperature variation, which would easily lead to broken and damage the product, the applicable operating temperature is between -15 and 45 degrees.
4. Please use a professional electrician to install it.