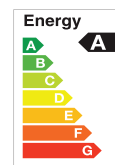
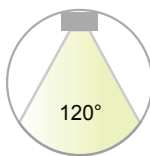




LED Troffer Light

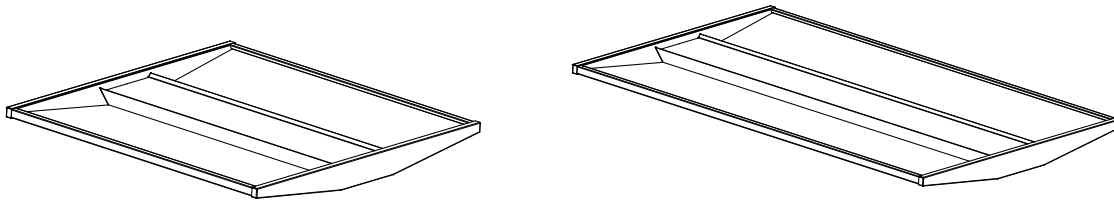




Features & Benefits

1. 115lm/w for options.
2. Die formed of 0.5mm cold-rolled steel body.
3. 0-10v dimming, universal voltage: 100-277v.
4. Available with suspending installation and surface-mounted installation.
5. Fully recessed luminaire fits standard T-Grid ceilings.
6. High-diffusion light-milky PC diffuser .
7. 5-year warranty.

Product Dimension



E2102-22

E2102-24

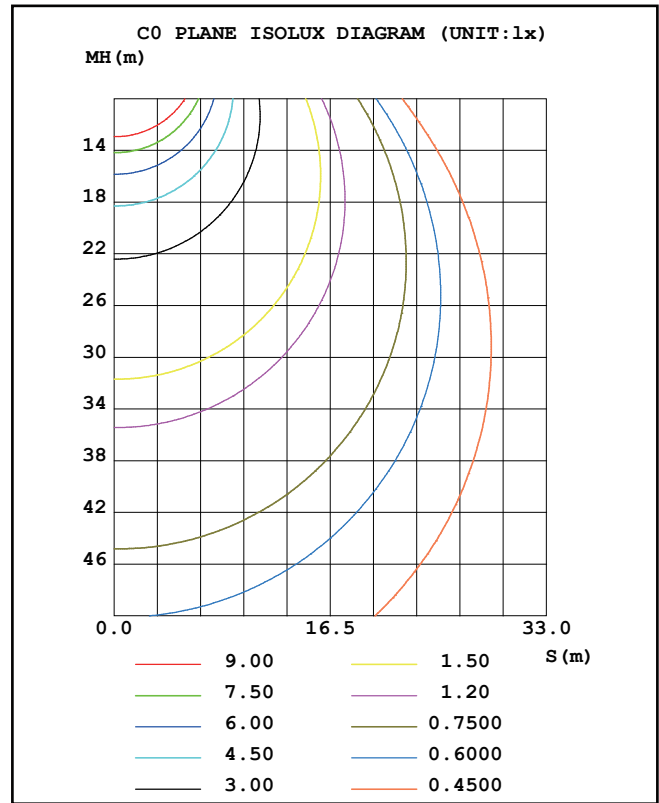
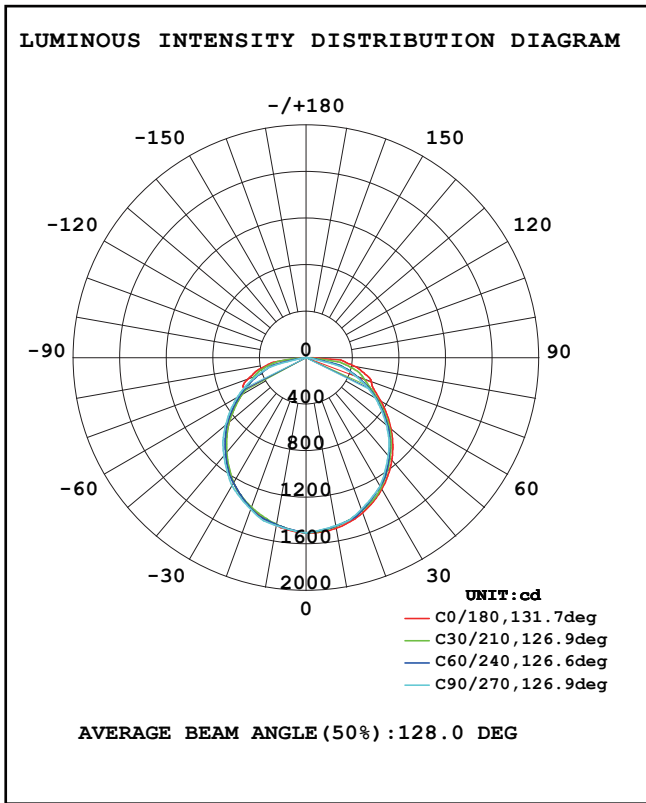
Model	L×W×H
E2102-22	603x603x50 (mm)/23.74"x23.74"x1.97"
E2102-24	1213x603x50(mm)/47.76"x23.74"x1.97"

Specification

Part No.	Power	Input Voltage	Luminous Flux	Luminous Efficacy	CCT	Viewing Angle	Ra	PF	Warranty
E2102-22-24W	24W	AC100-277V	2760lm	115lm/W	3500K 4000K 5000K	120°	>80	>0.9	5Years
E2102-22-36W	36W		4140lm						
E2102-22-50W	50W		5750lm						
E2102-24-24W	40W		4600lm						
E2102-24-36W	55W		6325lm						



Testing Report

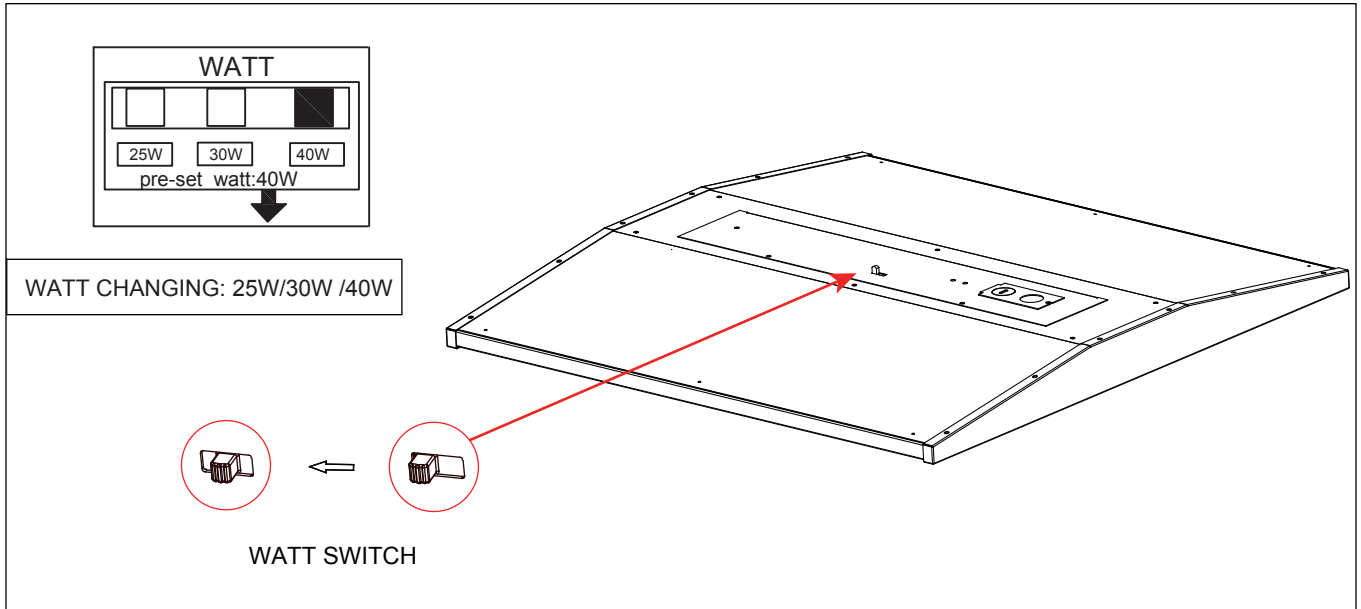


Applications

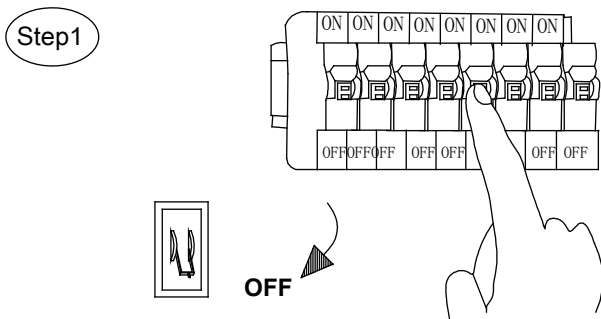




WATT CHANGING



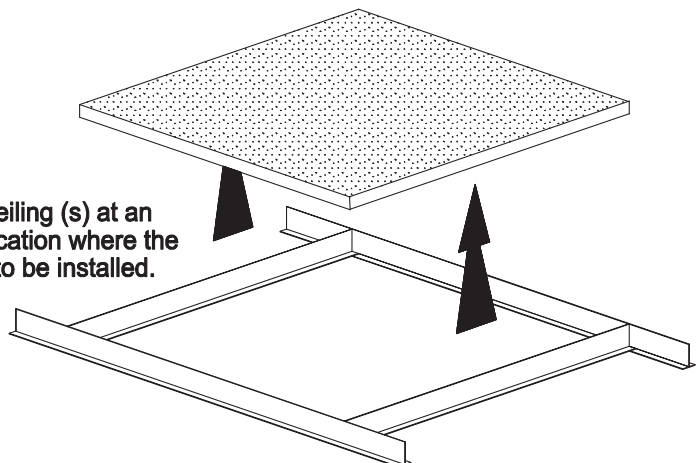
Installation manual



Turn off the switch

Step2

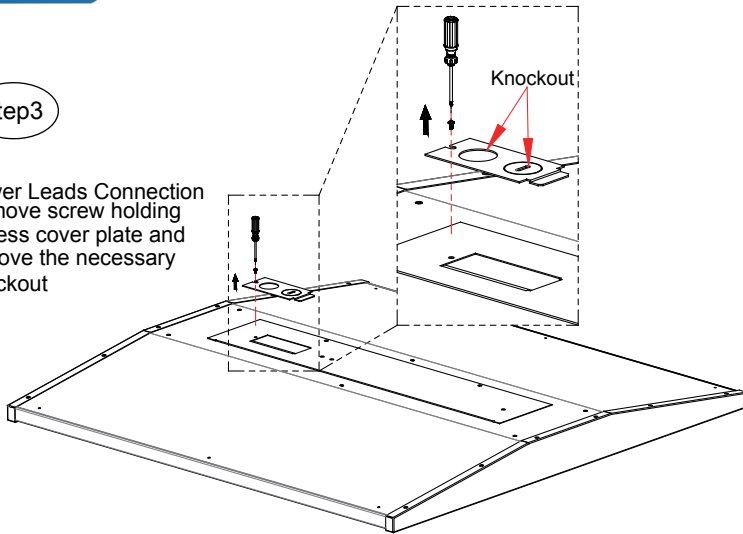
Remove the ceiling (s) at an appropriate location where the light fixture is to be installed.



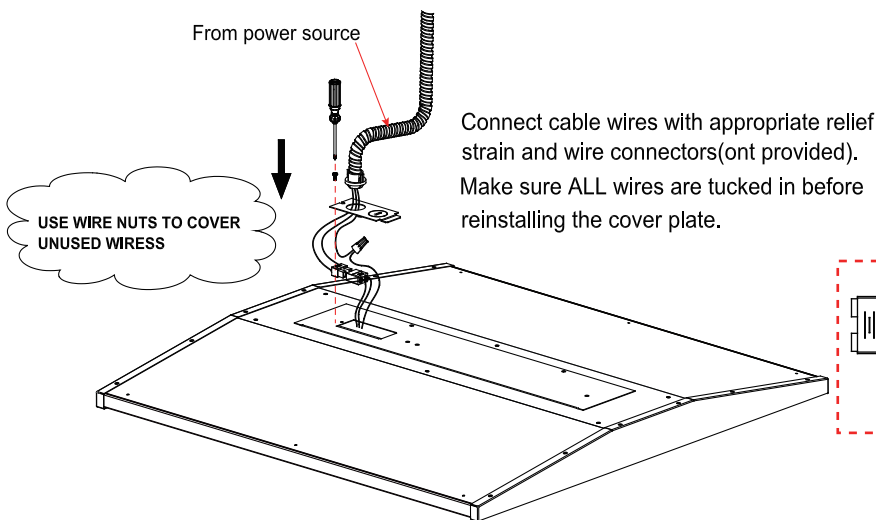
Lighting for the future

Step3

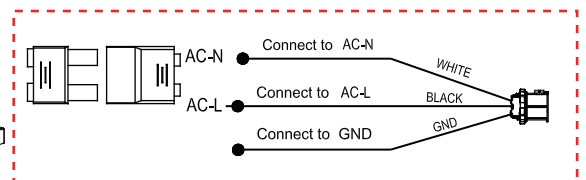
Power Leads Connection
Remove screw holding
access cover plate and
remove the necessary
knockout



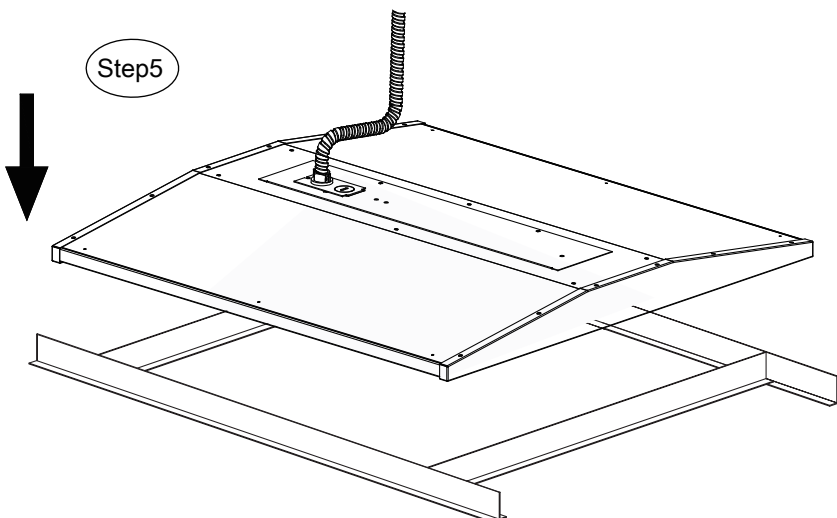
Step4 Turn off the power and wiring by using wire nuts.



Wiring Diagram



Step5





Important

Read this instruction carefully before installation. Keep it for further reference.
Make electrical and grounded connections in accordance with the national electrical code and any applicable code. Always turn off the power supply before installation.
This product must be installed in accordance with the applicable installation code by a qualified electrician who is familiar with the construction and operation of the product and the hazards involved.

WARNING:

- ⚠ Risk of fire or electric shock. Fixture installation requires knowledge of luminaires electrical systems. If not qualified, DO NOT attempt installation. Contact a qualified electrician.
- ⚠ Risk of fire or electric shock. Suitable for wet locations. Always turn off the power supply before installation.
- ⚠ Risk of fire or electric shock. Suitable for non-insulated surface and frame. DO NOT cover fixture with insulation liner or similar material.
- ⚠ DO NOT install fixture on unstable, loose or easily breakable surface.
- ⚠ DO NOT exert force on the surface of the fixture.

Packing /weight

Model No.	Outer box (L*W*H)	Qty/Ctn (pcs)	N.W/pcs (lbs/Kg)	G.W/Ctn (lbs/Kg)
E2102-22	25.79"x5.31"x25.79" 655*135*655mm	2	9.24/4.2	21.3/9.7
E2102-24	49.8"x5.31"x25.79" 1265*135*655mm	2	16.5/7.5	37.4/17

Note

- 1.The installation and maintenance must be completed by electricians or professionals.
- 2.Please cut off the power before installation and maintenance.
- 3.The thermally insulating material is not allowed to cover the fixture.
- 4.Please keep away from the corrosive substance, and keep the fixture dry and clean.
- 5.Working temperature: -4°F~113°F, storage temperature: -22°F~140°F.