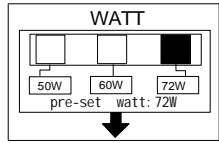
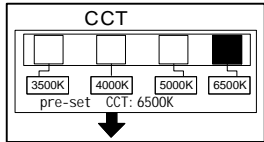


LED TROFFER

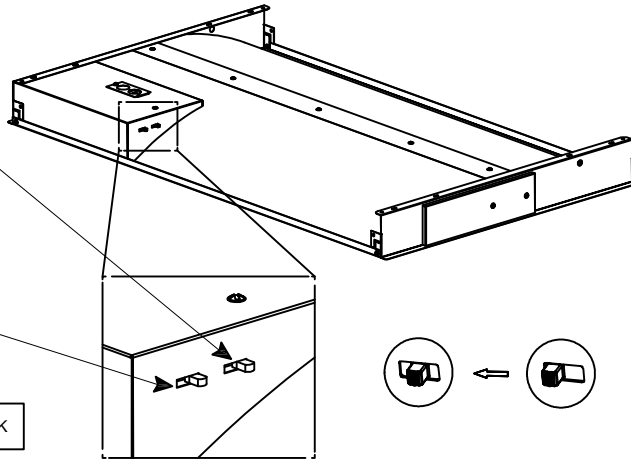
CCT AND WATT CHANGING



WATT CHANGING: 50W/60W /72W



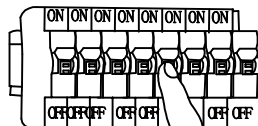
CCT CHANGING: 3500K/4000K/5000K/6500K



Installation manual

A.T-Grid ceilings installation

Step 1

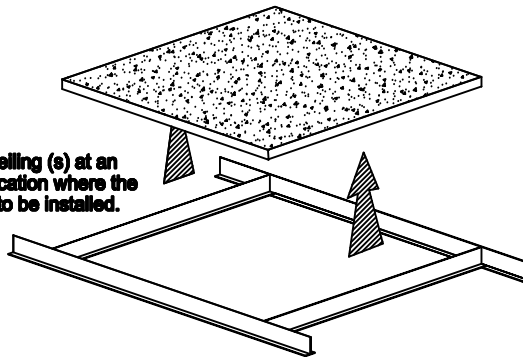


OFF

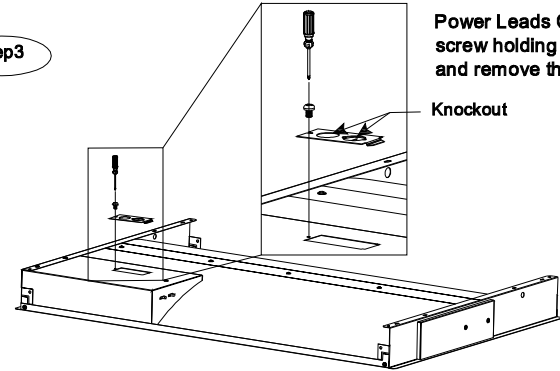
Turn off the switch

Step 2

Remove the ceiling (s) at an appropriate location where the light fixture is to be installed.



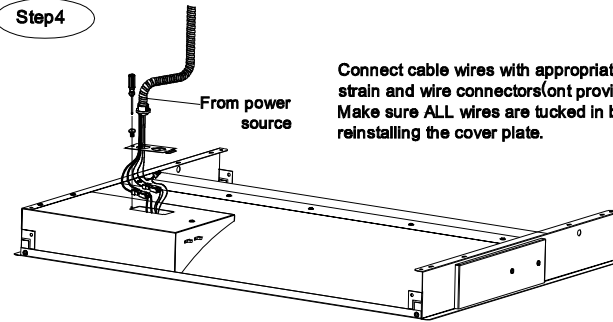
Step 3



Power Leads Connection Remove screw holding access cover plate and remove the necessary knockout

Knockout

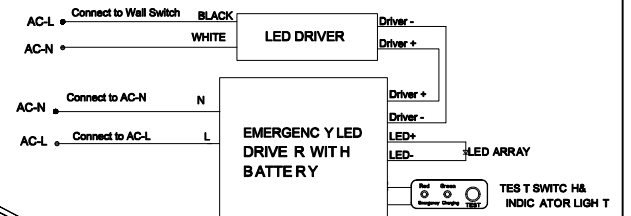
Step 4



From power source

Connect cable wires with appropriate relief strain and wire connectors (not provided). Make sure ALL wires are tucked in before reinstalling the cover plate.

Wiring Diagram



Step 5

