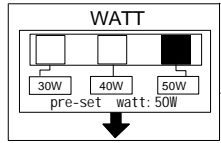
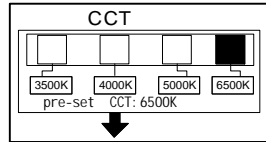


LED TROFFER

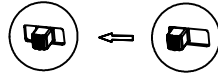
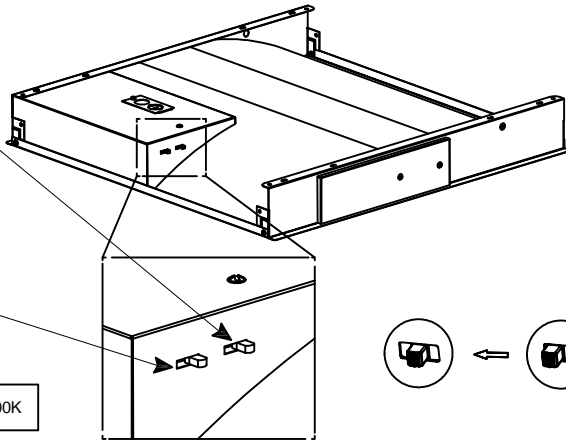
CCT AND WATT CHANGING



WATT CHANGING: 30W/40W /50W



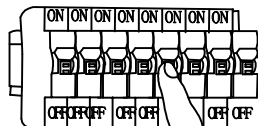
CCT CHANGING: 3500K/4000K/5000K/6500K



Installation manual

A.T-Grid ceilings installation

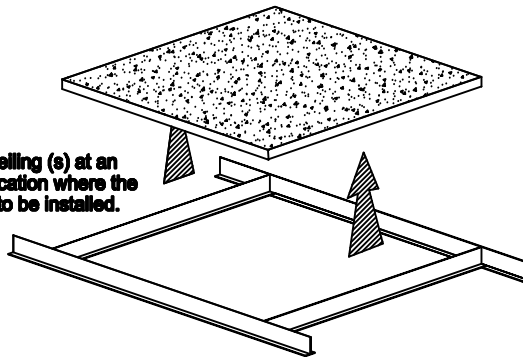
Step1



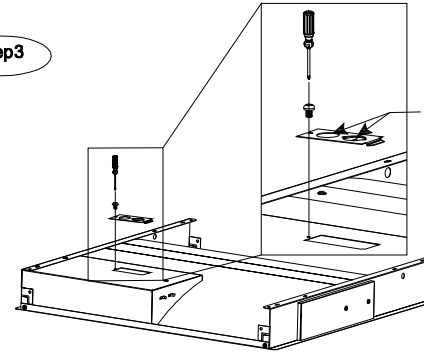
Turn off the switch

Step2

Remove the ceiling (s) at an appropriate location where the light fixture is to be installed.



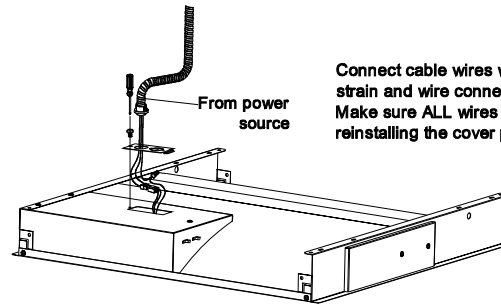
Step3



Power Leads Connection Remove screw holding access cover plate and remove the necessary knockout

Knockout

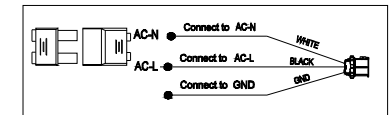
Step4



Connect cable wires with appropriate relief strain and wire connectors (not provided). Make sure ALL wires are tucked in before reinstalling the cover plate.

From power source

Wiring Diagram



Step5

