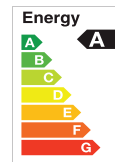
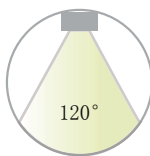




LED Troffer Light



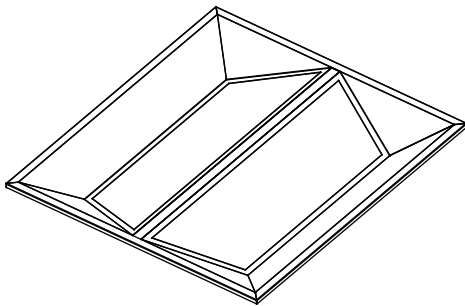
RoHS



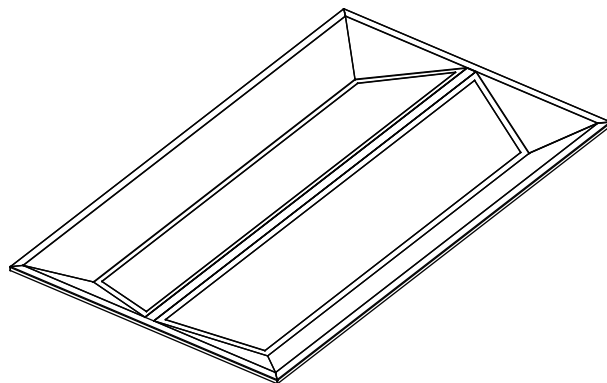
Features & Benefits

1. Die formed of 0.6mm cold-rolled steel body.
2. 0-10v dimming, universal voltage: 120-277v/120-347v.
3. Wide application for: school, hospital, super market, office and warehouse .
4. Fully recessed luminaire fits standard T-Grid ceilings .
5. 3MM high quality light guide plate.
6. 5-year warranty .

Product Dimension



E1805-22



E1805-24

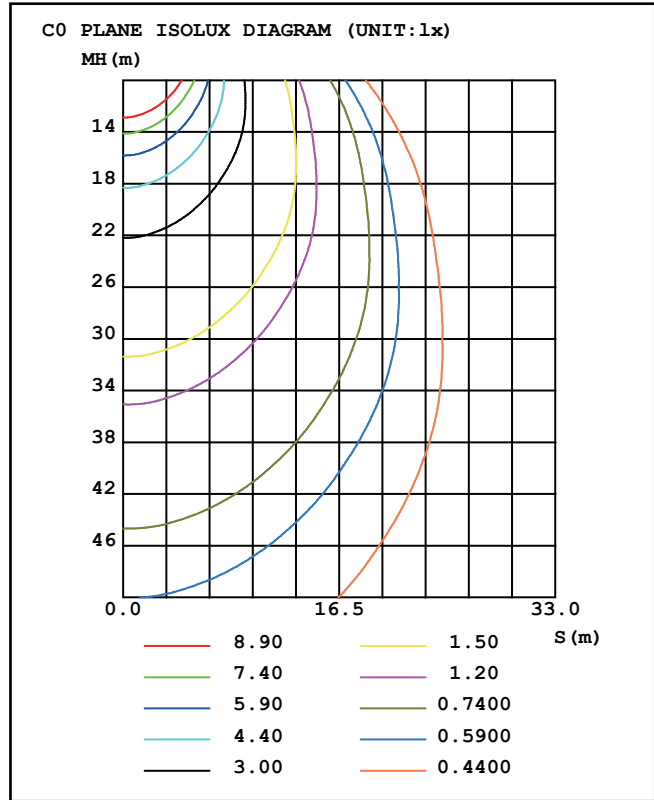
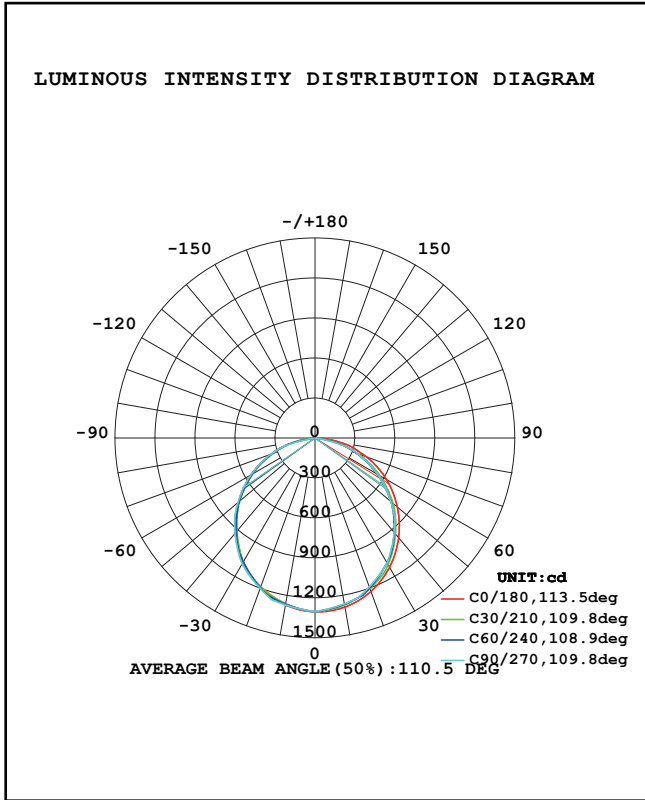
Model	L x W x H
E1805-22	603x603x60 (mm)/23.7"x23.7"x2.36"
E1805-24	1213x603x60 (mm)/47.8"x23.7"x2.36"

Specification

Part No.	Power	Input Voltage	Luminous Flux	Luminous Efficacy	CCT	Viewing Angle	Ra	PF	Warranty
E1805-22-25W/30W/40W	40W	AC 120-277V/ AC 120-347V	4400lm	110lm/W	3000K 3500K 4000K 5000K	120°	>80	>0.9	5Years
E1805-22-30W/40W/50W	50W		5500lm						
E1805-22-25W	25W		2750lm						
E1805-22-30W	30W		3300lm						
E1805-22-40W	40W		4400lm						
E1805-22-50W	50W		5500lm						
E1805-24-35W/40W/50W	50W		5500lm						
E1805-24-50W/60W/72W	72W		7920lm						
E1805-24-35W	35W		3850lm						
E1805-24-40W	40W		4400lm						
E1805-24-50W	50W		5500lm						
E1805-24-60W	60W		6600lm						
E1805-24-72W	72W		7920lm						



Testing Report



Applications





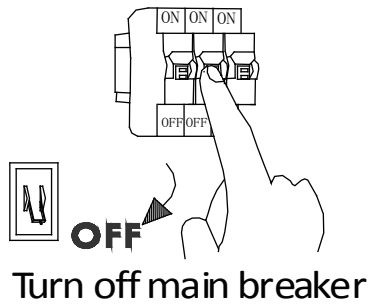
Uncorrected UGR Table

ceiling/cavity	0.7	0.7	0.5	0.5	0.3	0.7	0.7	0.5	0.5	0.3		
walls	0.5	0.3	0.5	0.3	0.3	0.5	0.3	0.5	0.3	0.3		
working plane	0.2	0.2	0.2	0.2	0.2	0.2	0.2	0.2	0.2	0.2		
Room dimensions	Viewed crosswise					Viewed endwise						
x = 2H y = 2H	2H	17.6	18.1	19.9	18.3	19.5	17.5	19.9	18.8	18.1	18.3	
	3H	18.8	18.2	19.1	18.4	18.6	17.8	19.2	18.1	19.4	19.6	
	4H	18.3	18.6	18.6	18.8	19.1	18.3	19.6	18.6	19.8	20.1	
	6H	19.6	18.8	19.9	19.1	19.4	18.3	19.5	18.6	19.8	20.1	
	8H	18.7	18.9	18.0	19.1	19.4	18.3	19.4	18.6	19.7	20.0	
	12H	18.8	18.9	18.1	19.2	19.5	18.2	19.3	18.6	19.6	19.9	
	4H	2H	18.2	19.5	19.5	18.7	19.0	16.9	18.2	19.2	18.4	18.7
		3H	19.6	18.7	18.9	19.0	19.3	18.4	19.5	18.8	19.8	20.1
		4H	18.1	19.1	18.5	19.5	19.8	19.0	20.0	19.4	20.3	20.6
		6H	18.5	19.4	18.9	19.8	20.1	19.0	19.9	19.4	20.3	20.7
		8H	18.7	18.5	18.1	17.9	19.2	19.0	19.8	19.4	20.2	20.6
		12H	18.7	19.5	19.2	19.9	20.3	19.0	19.7	19.4	20.1	20.5
	8H	4H	18.4	19.2	18.8	19.5	19.9	19.1	19.9	19.5	20.3	20.7
		6H	18.9	19.5	19.3	19.9	20.4	19.2	19.9	19.7	20.3	20.7
		8H	19.0	19.6	19.5	20.1	20.5	19.2	19.8	19.6	20.2	20.6
		12H	19.1	19.7	19.6	20.1	20.6	19.1	19.6	19.6	20.1	20.6
	12H	4H	18.3	19.1	18.7	19.5	19.9	19.1	19.9	19.5	20.2	20.6
		6H	18.8	19.4	19.3	19.9	20.3	19.2	19.8	19.7	20.2	20.7
		8H	19.0	19.5	19.5	20.0	20.5	19.2	19.7	19.6	20.1	20.6
Variations with the observer position at spacings :												
S = 1.0H	+ 0.2 / - 0.2					+ 0.2 / - 0.3						
1.5H	+ 0.1 / - 0.1					+ 0.1 / - 0.3						
2.0H	+ 0.3 / - 0.3					+ 0.4 / - 0.6						

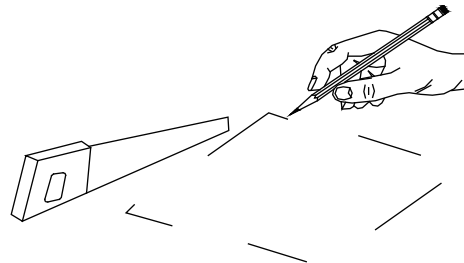
CIE Pub.117 Corrected 6500 lm Total Lamp Luminous Flux. (8log(F/F0) = 6.5)

Installation Manual
Model No.: E1805-2ft

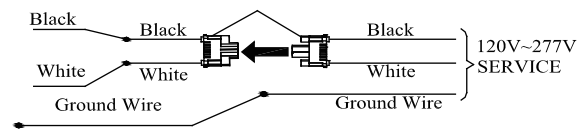
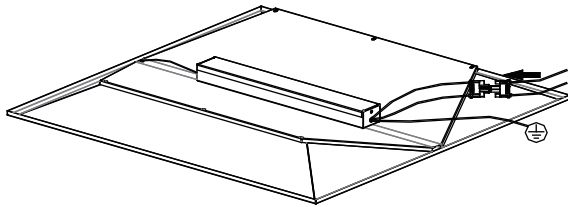
1



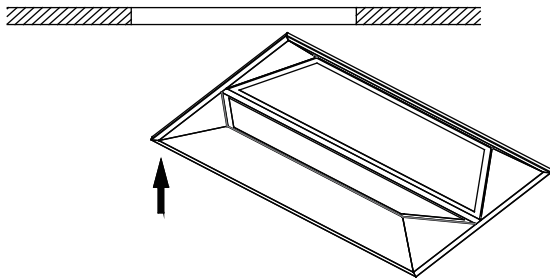
2



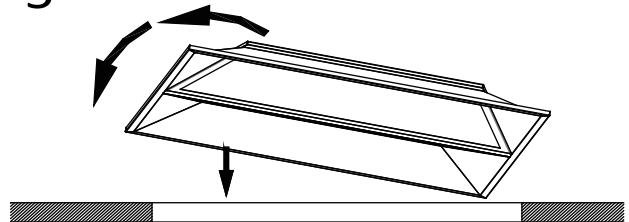
3



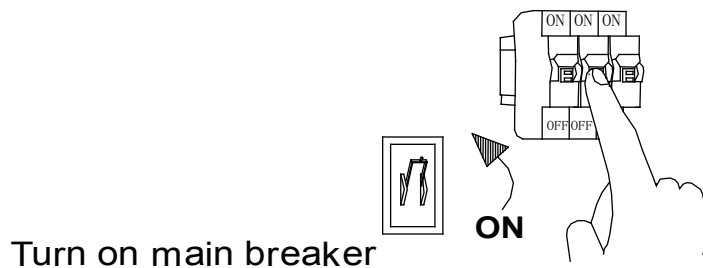
4



5



6



Caution: Please note that DO NOT use this product in the following places/application

1. The place has a large quantity of lampblack and smoke, such as: kitchen and Food processing factory etc.
2. The place has a large quantity of chemical corrosive substance, such as: chemical plant and stockyard etc.
3. The place has poor temperature conditions, large-scale temperature variation, which would easily lead to broken and damage the product, the applicable operating temperature is between -15 and 45 degrees.



Important

Read this instruction carefully before installation. Keep it for further reference. Make electrical and grounded connections in accordance with the national electrical code and any applicable code. Always turn off the power supply before installation. This product must be installed in accordance with the applicable installation code by a qualified electrician who is familiar with the construction and operation of the product and the hazards involved.

WARNING:

- ⚠ Risk of fire or electric shock. Fixture installation requires knowledge of luminares electrical systems. If not qualified, DO NOT attempt installation. Contact a qualified electrician.
- ⚠ Risk of fire or electric shock. Suitable for wet locations. Always turn off the power supply before installation.
- ⚠ Risk of fire or electric shock. Suitable for non-insulated surface and frame. DO NOT cover fixture with insulation liner or similar material.
- ⚠ DO NOT install fixture on unstable, loose or easily breakable surface.
- ⚠ DO NOT exert force on the surface of the fixture.

Packing /weight

Model No.	Outer box (L*W*H)	Qty/Ctn (pcs)	N.W/pcs (lbs/Kg)	G.W/Ctn (lbs/Kg)
E1805-22	25.4"x6.1"x25.59" 645 x 155 x 650 mm	2	16.28/7.4	18.04/8.2
E1805-24	25.4"x6.1"x49.41" 645 x 155 x 125.5 mm	2	27.72/12.6	30.36/13.8

Note

- 1.The installation and maintenance must be completed by electricians or professionals.
- 2.Please cut off the power before installation and maintenance.
- 3.The thermally insulating material is not allowed to cover the fixture.
- 4.Please keep away from the corrosive substance, and keep the fixture dry and clean.
- 5.Working temperature: -4°F~113°F, storage temperature: -22°F~140°F.