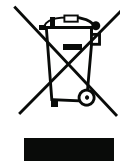
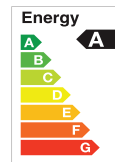
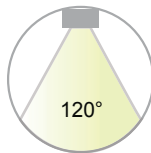




LED VAPOR Light



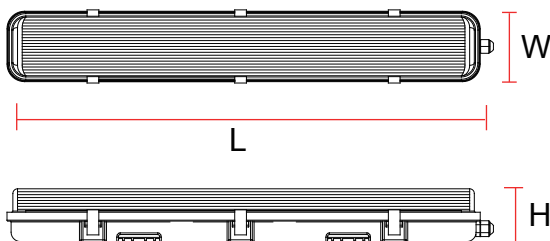
RoHS



Features & Benefits

1. 120lm/w for options.
2. IP Rating : IP65.
3. 0-10v dimming, universal voltage: 100-277v.
4. Available with suspending installation and surface- mounted installation.
5. Wide application for: school, hospital, super market, office and warehouse.
6. 2ft,4ft and 8ft dimensions for variety choices.
7. 5-year warranty.

Product Dimension



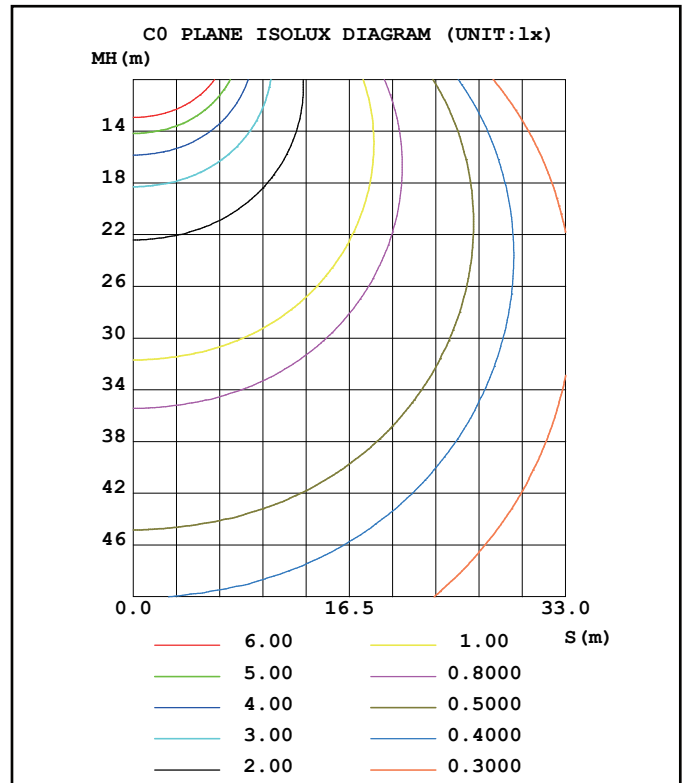
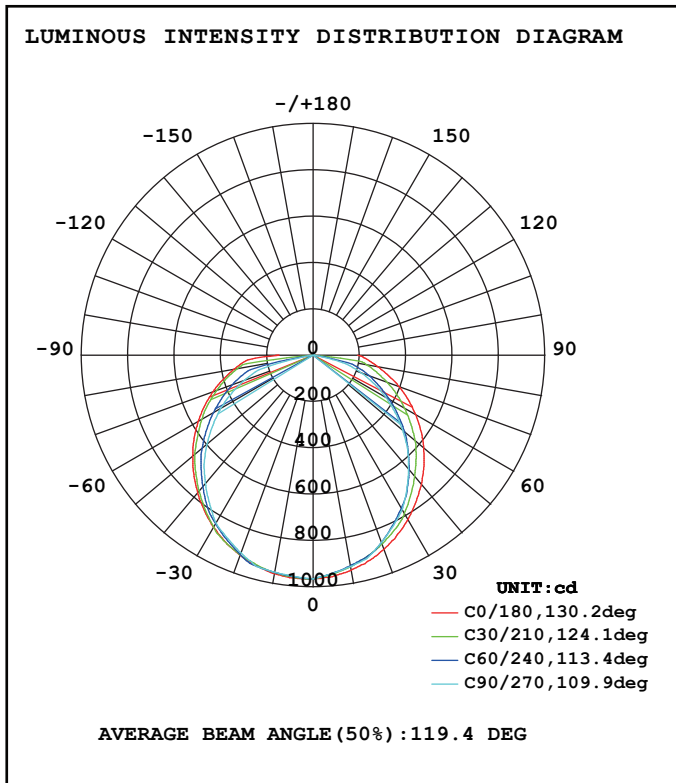
Model	L×W×H
C2312-2FT	600x95x88 (mm) / 23.6"x3.74"x3.46"
C2312-4FT	1200x95x88 (mm)/ 59.06"x3.74"x3.46"
C2312-8FT	2400x95x88 (mm)/ 94.5"x3.74"x3.46"

Specification

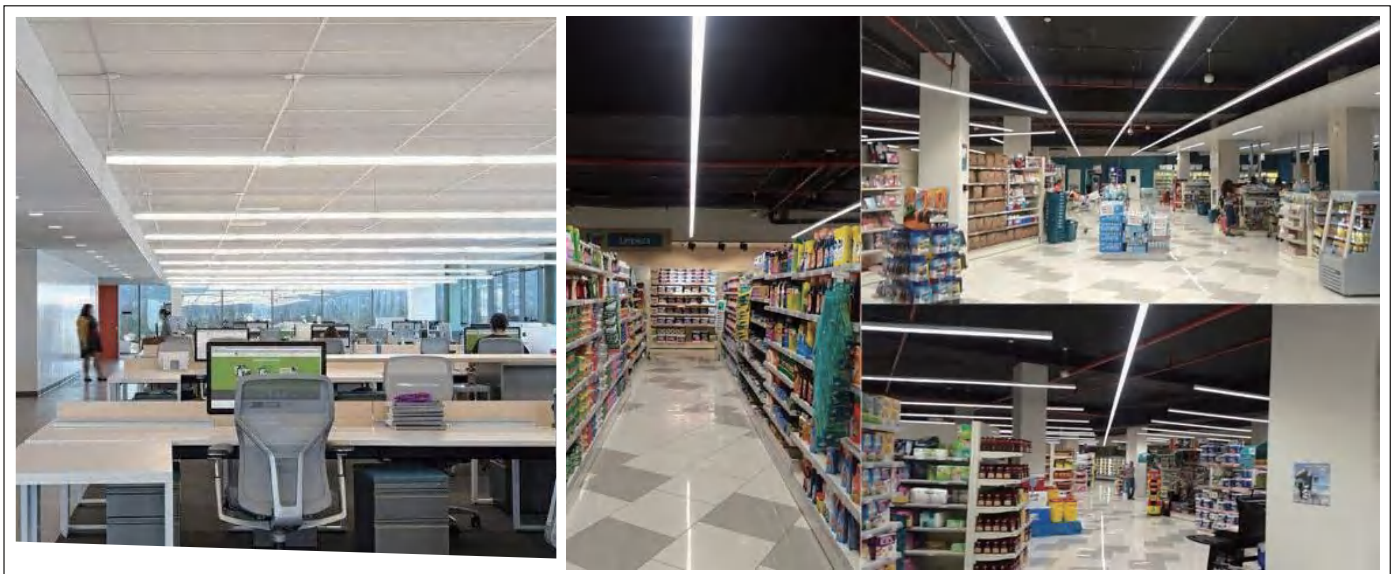
Part No.	Power	Input Voltage	LuminousFlux	Luminous Efficacy	CCT	Viewing Angle	Ra	PF	Warranty
C2312-252F	15W	AC100-277V	1800lm	120lm/W	3000K 3500K 4000K 5000K	120°	>80	>0.9	5Years
	20W		2400lm						
	25W		3000lm						
C2312-504F	30W		3600lm						
	40W		4800lm						
	50W		6000lm						
C2312-508F	30W		3600lm						
	40W		4800lm						
	50W		6000lm						
C2312-808F	60W		7200lm						
	70W		8400lm						
	80W		9600lm						



Testing Report



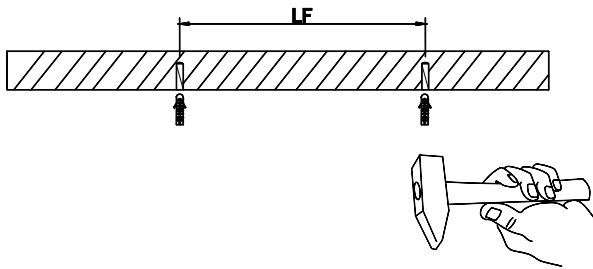
Applications



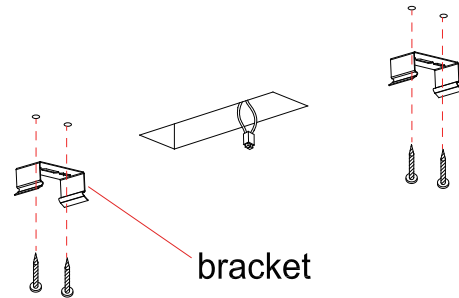
Installation manual

A.Surface-mounted installation

Step1. Punch a hole on the wall and put the expansion tube inside.

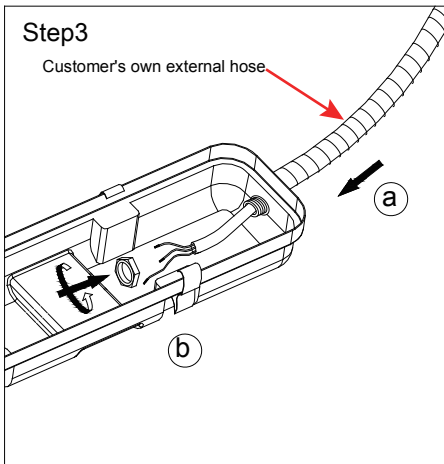


Step2. fix the buckles in parallel by screws with distance

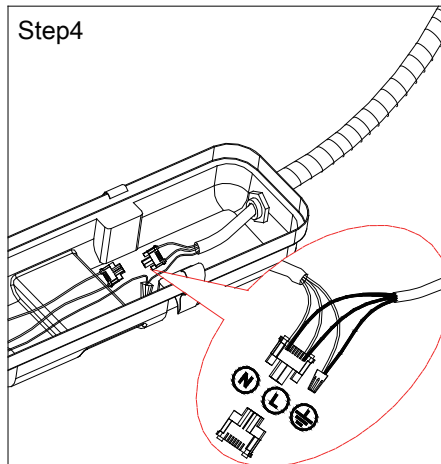


Step3

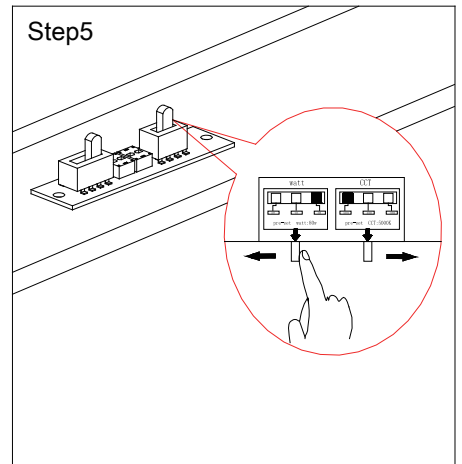
Customer's own external hose



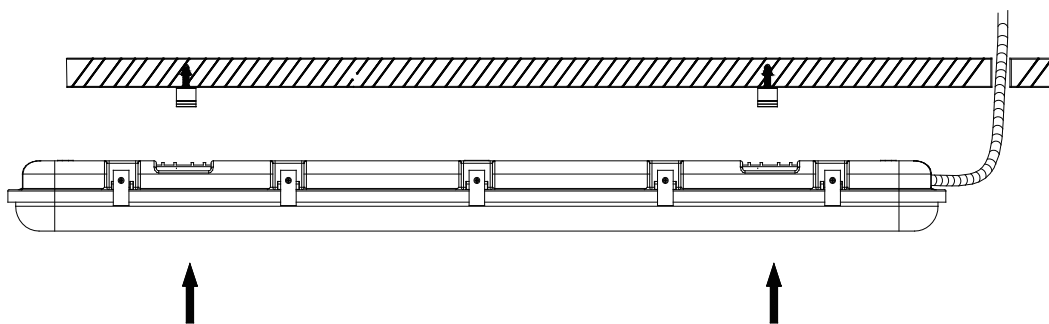
Step4



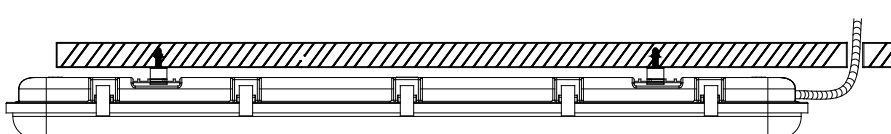
Step5



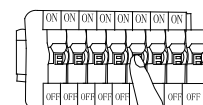
Step6



Step7



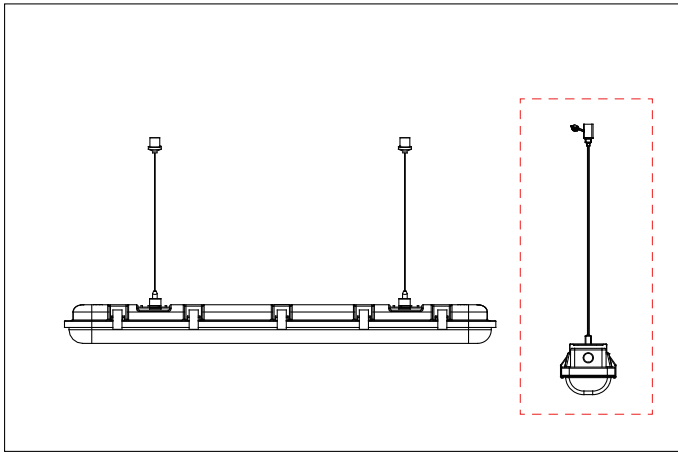
Step8



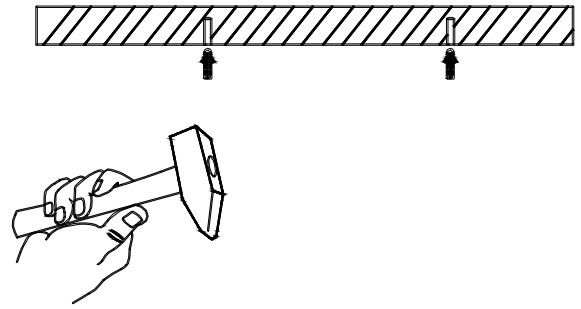
ON

Turn on the switch

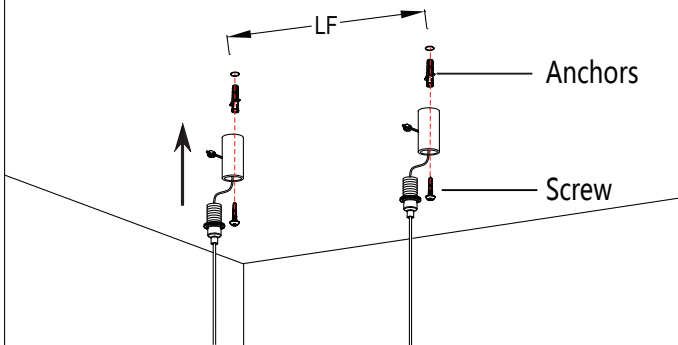
B.Suspending installation



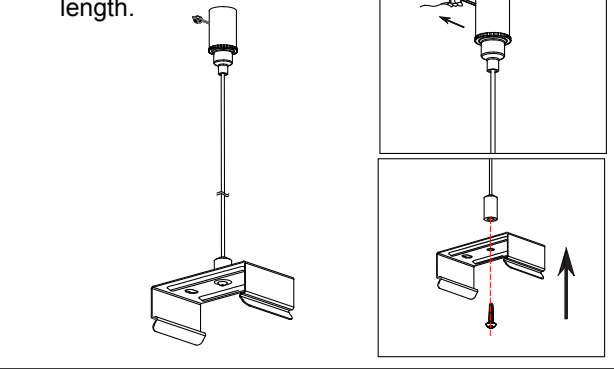
Step1. Punch a hole on the wall and put the expansion tube inside.



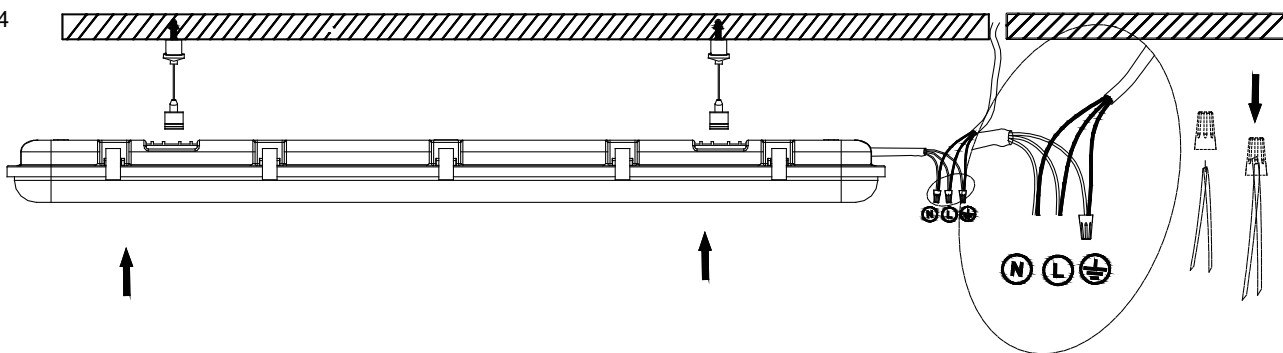
Step2. Fixing the hook and suspending the lamp.



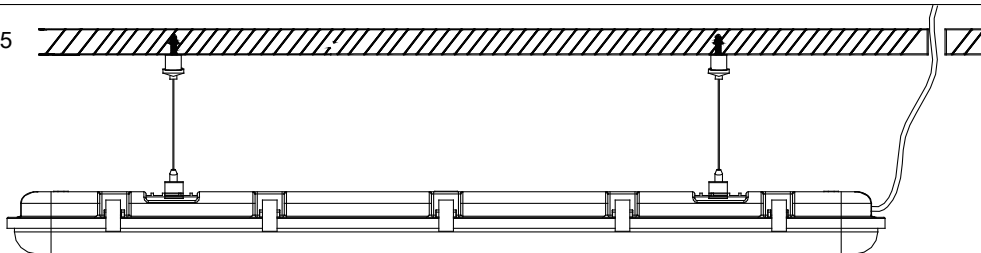
Step3. Adjusting the hanging rope length.



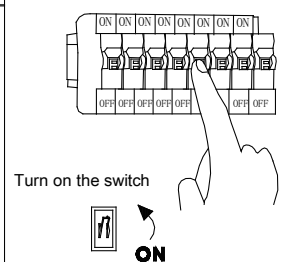
Step4



Step5



Step6





Important

Read this instruction carefully before installation. Keep it for further reference.
Make electrical and grounded connections in accordance with the national electrical code and any applicable code. Always turn off the power supply before installation.
This product must be installed in accordance with the applicable installation code by a qualified electrician who is familiar with the construction and operation of the product and the hazards involved.

WARNING:

- Risk of fire or electric shock. Fixture installation requires knowledge of luminaires electrical systems. If not qualified, DO NOT attempt installation. Contact a qualified electrician.
- Risk of fire or electric shock. Suitable for wet locations. Always turn off the power supply before installation.
- Risk of fire or electric shock. Suitable for non-insulated surface and frame. DO NOT cover fixture with insulation liner or similar material.
- ⚠ DO NOT install fixture on unstable, loose or easily breakable surface.
- DO NOT exert force on the surface of the fixture.

Packing /weight

Size	Outer box (L*W*H)	Qty/Ctn (pcs)	N.W/pcs (lbs/Kg)	G.W/Ctn (lbs/Kg)
C2312-252F	24.6"x13.78"x8.66" 625*350*220 mm	8	2.09/0.95	15.2/7.6
C2312-504F	48.2"x13.78"x8.66" 1225*350*220 mm	8	4.29/1.95	34.32/15.6
C2312-808F	95.47"x7.28"x8.66" 2425*185*220 mm	4	8.62/3.92	34.5/15.68

Note

- 1.The installation and maintenance must be completed by electricians or professionals.
- 2.Please cut off the power before installation and maintenance.
- 3.The thermally insulating material is not allowed to cover the fixture.
- 4.Please keep away from the corrosive substance, and keep the fixture dry and clean.
- 5.Working temperature: -4°F~113°F, storage temperature: -22°F~140°F.