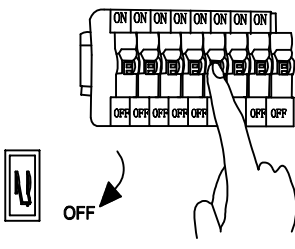


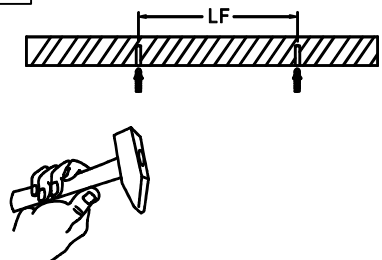
1



Turn off the switch

1: Turn off the switch

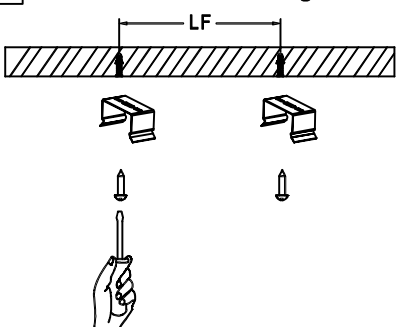
2



2: Installation the Plastic expansion tube

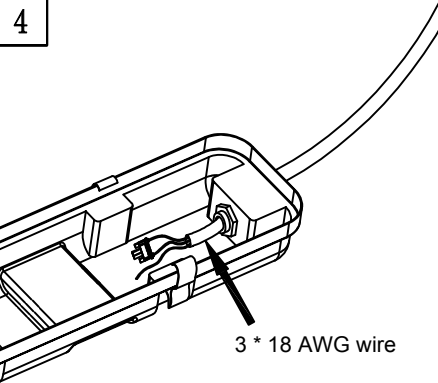
3

### Surface Mounting



3: Installation the Metal Clip

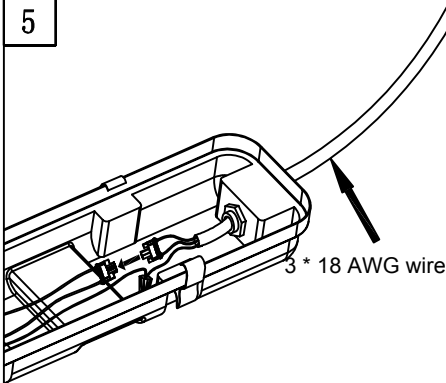
4



3 \* 18 AWG wire

4: Thread into the lamp body

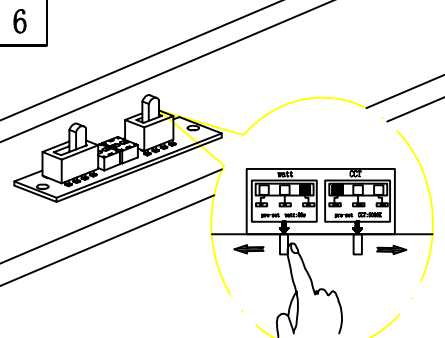
5



3 \* 18 AWG wire

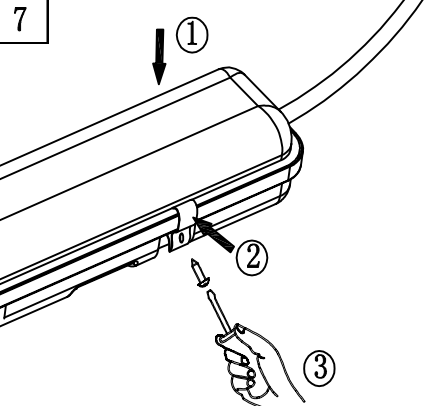
5: Connect the reserved docking joint

6



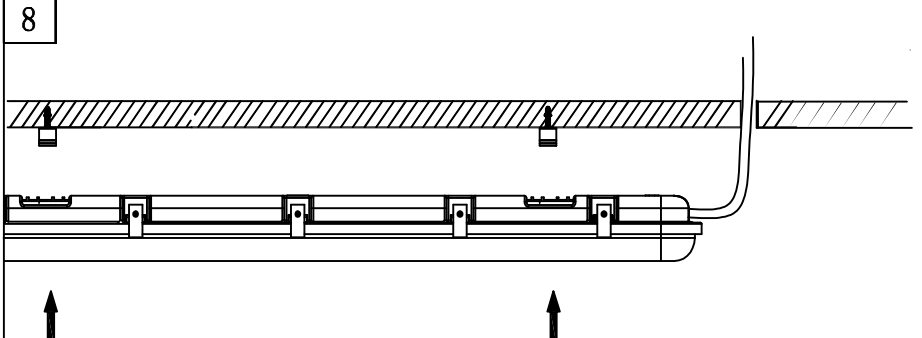
6: Pull out the corresponding color temperature

7



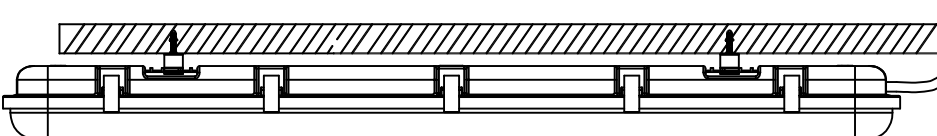
7: Install the mask, fasten the buckle and install the screws

8



8: Align the entire luminaire with the snap and push it up to the clip

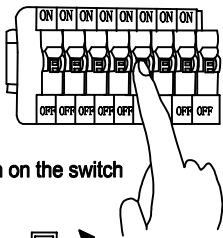
9



Installed by a professional technician

9: Turn on the switch

10



Turn on the switch

9: Turn on the switch