



# Zhongshan Halcon Lighting & Electrical Co., Ltd

Add: Building D, YinCheng Industrial Park, No 9, ShunXing North Road, HengLan Town, ZhongShan, GD,China.

Tel:0086-760-87556293 87556292 87556295

Fax: 0086-760-87556294

Website:<http://www.halconlighting.com>

E-mail: [emily@halconlighting.com](mailto:emily@halconlighting.com)

## SPECIFICATION

### LED Linear Light

#### C1801



### CONSTRUCTION

Die formed of 0.6mm cold-rolled steel body

All steel surface are painted after fabrication with high gloss backed white matte powder painted.

High-diffusion Milky PC Diffuser

Wiring access available in the back of the housing

### ELECTRICAL

All electrical components are UL/ VDE approved, Input Voltage: 120-277V, 120-347V, 220-240V/50HZ

Bridgelux/Hongli SMD2835 LED chips

Osram/Phillip/Tridonic VDE / UL 0-10V LED Driver

5 years Warranty

### LABELS

CE & ETL Listed, approved for dry/damp location otherwise noted

### OPTIONS:

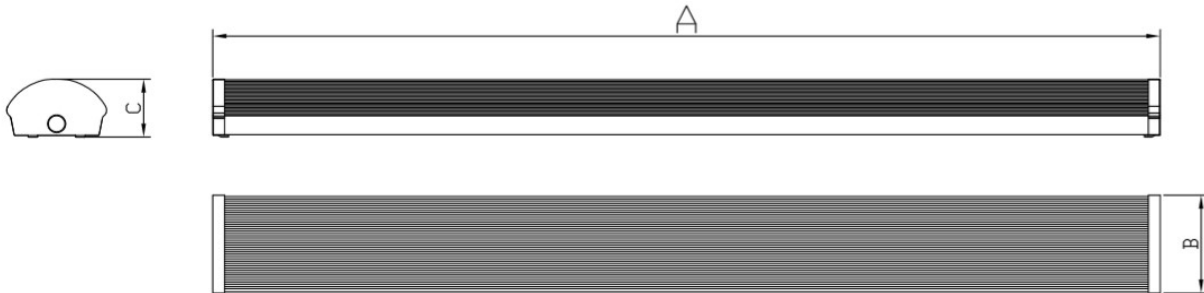
1-Available for dimmable version

2-Available for emergency version

3-Available for installing with sensor

- \* CE, ETL & DLC listed; With LM79 & LM80;
- \* 25W/2ft, 40W/4ft, 50W/5ft, 60W/6ft, 80W/8ft
- \* High luminous efficacy 130 LM/W
- \* 50,000 hours warranty 220-240V/50HZ, 120-277V, 120-347V 0-10V Dimmable Osram/Phillip/Tridonic/ Lifud LED Driver
- \* PF > 0.90
- \* driver efficiency > 87%; THD < 20%;
- \* Installation: chain mounting
- \* Suitable for dry/damp location;
- \* Designed for office, school, shops, hospital and conference room
- \* CCT: 4000K & 5000K;
- \* Lifetime: 5 years

## PRODUCT DIMENSION



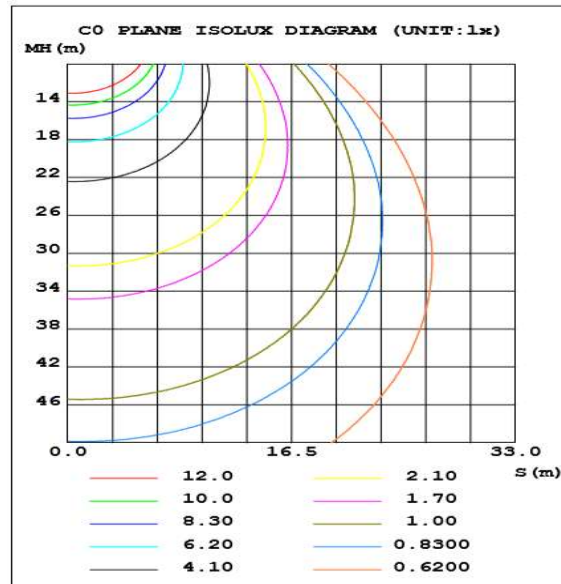
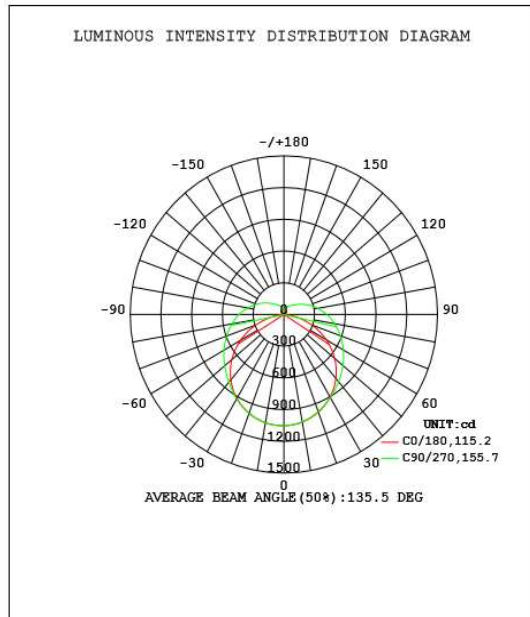
Model No	A	B	C	Watts
C1801-25W/2ft	23.03"	5.75"	2.67"	25W
C1801-40W/4ft	46.65"	5.75"	2.67"	40W
C1801-50W/5ft	58.6"	8.18"	2.75"	50W
C1801-60W/6ft	70.39"	8.18"	2.75"	60W
C1801-80W/8ft	97.95"	8.18"	2.75"	80W



TECHNICAL DATA

Total Input Watt	25W	40W	50W	60W	80W
Size	2ft	4ft	5ft	6ft	8ft
Calculated L70	50,000 hrs				
Delivered Lumens	3250 LM	5200 LM	6500 LM	7800 LM	10400 LM
Luminaire Efficacy Rating	130 LM/W				
Correlated Color Temperature	3000K,3500K,4000K,4500K,5000K				
Color Rendering Index	>80				

LIGHT DISTRIBUTION

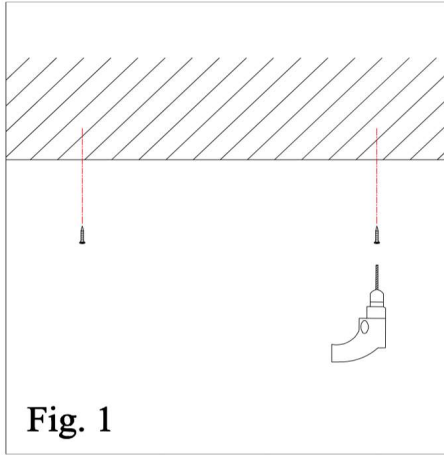


WARNING

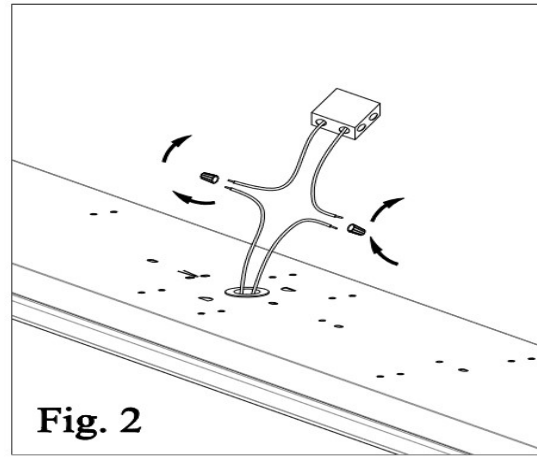
- The installation and maintenance must be completed by electricians or professionals.
- Please cut off the power before installation and maintenance.
- The thermally insulating material is not allowed to cover the fixture.
- Please keep away from the corrosive substance, and keep the fixture dry and clean.
- Working temperature: -4°F~104°F, storage temperature: -22°F~140°F.

**INSTALLATION FOR RECESSED**

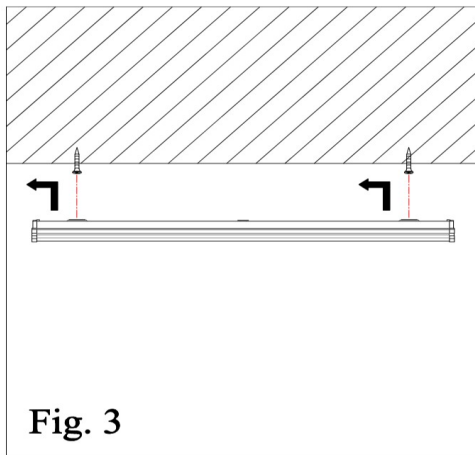
1-Drill the holes into the ceiling



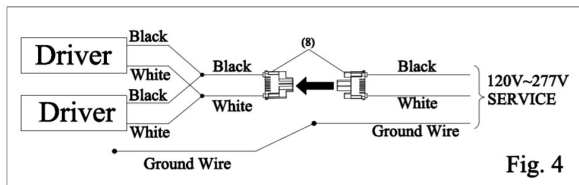
2-Turn off the power,make the wire connection to the quick connecto



3-Fix the Light into the mounting holes



5-The wire connection diagram





**APPLICATIONS**

Office



School/Class Room



Meeting Room



Hospital



**PACKAGE/WEIGHT**

Model No	Size	Master Carton Size (LxWxH)	Qty/Carton (pcs)
C1801-25W/2ft	2ft	24.41" x 18.5" x 6.69"	5
C1801-40W/4ft	4ft	48.03" x 18.5" x 6.69"	5
C1801-50W/5ft	5ft	59.44" x 18.5" x 6.69"	5
C1801-60W/6ft	6ft	71.25" x 18.5" x 6.69"	5
C1801-80W/8ft	8ft	98.5" x 18.5" x 6.69"	5